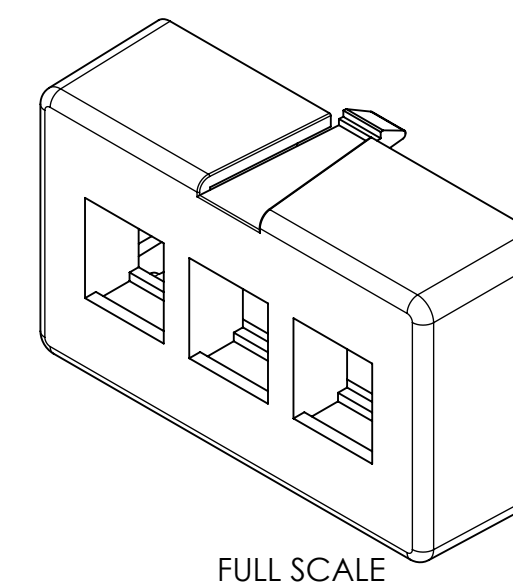
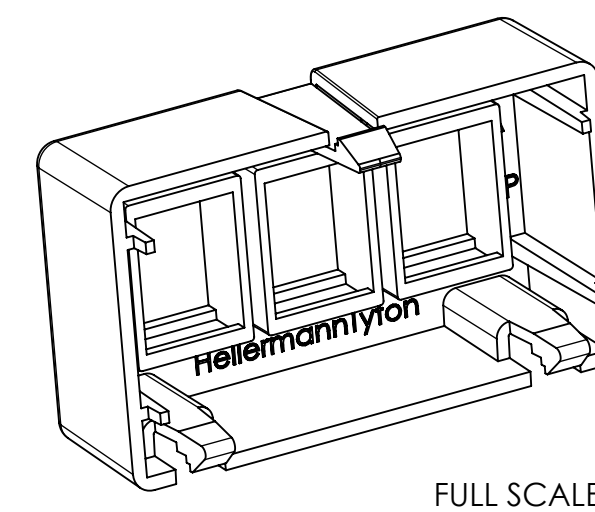


FITS OPENING OF APPROXIMATELY 1.38" X 2.70". IN .055" THICK METAL.



PART NUMBER DESCRIPTION:

X = COLOR. CONTACT FACTORY FOR AVAILABLE COLORS.

INVENTORS	HellermannTyton.		
	ALL PROPRIETARY RIGHTS IN THE SUBJECT MATTER SHOWN ON THIS DRAWING ARE EXCLUSIVE PROPERTY OF HELLERMANN TYTON		
	name	date	city, state

NOTES	MOUNTS THREE MODULAR JACKS.

REVISIONS	level	06
	by	AAC
	date	12/12/14
	ECN #	012945
	part level	-

DIMENSIONS	.xxxx = ± .0005
	.xxx = ± .005
	.xx = ± .01
	.x = ± .03
	< = ±0.5*
units	inches

PART	number	FPFURN3-X	phase	PRODUCTION
	name	MODULAR FURNITURE FACE PLATE		
	material	PVC		

DRAWING	format	C	CAD	SW2011	scale	2:1
	computer file number	MI3020100CST_06		previous number		
	drawn	MEF	checked	KAC	approved	
	date	05/14/02	checked	12/12/14	approved	
	type	DETAIL	sheet	1 of 1		
number	MI3020100CST					