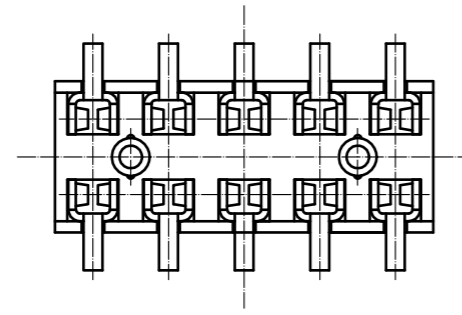
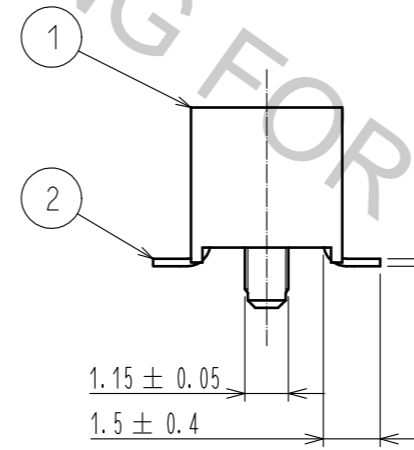
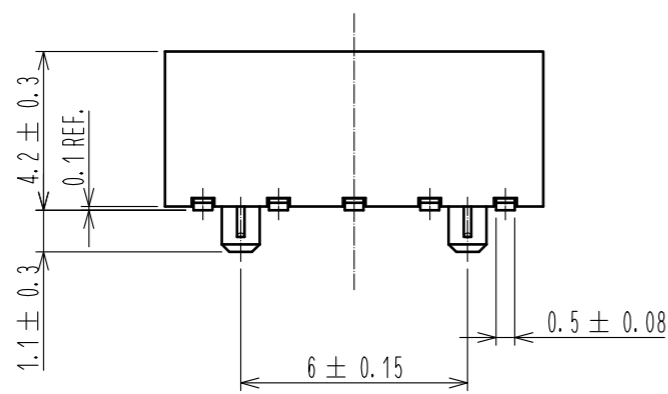
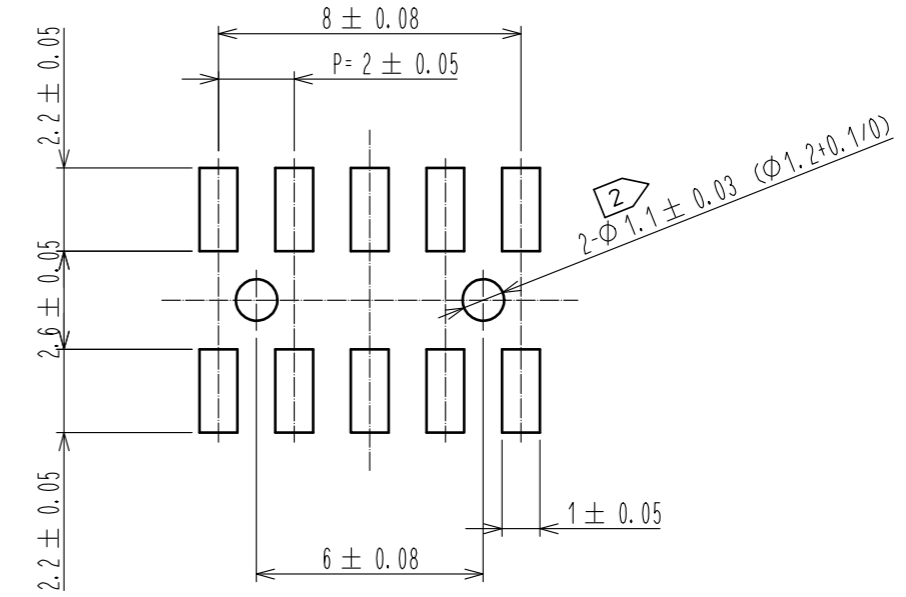
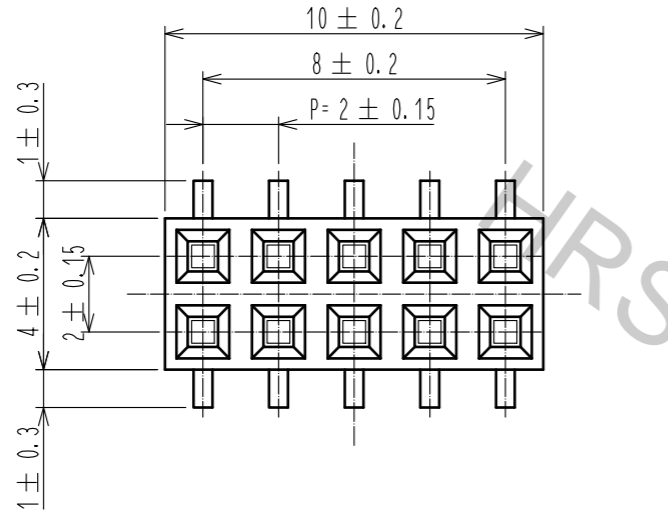


RECOMMENDED LAND PATTERN DIMENSION OF PCB (MOUNTING SIDE)
 (RECOMMENDED METAL MASK THICKNESS:0.2mm)



NOTES 1. LEAD CO-PLANARITY SHALL BE 0.15 MAX.
 2 FOR AUTOMATED MOUNTING, RECOMMENDED THROUGH HOLE DIAMETER OF BOSS IS 1.2+0.1/0.

| | | | | | | | | |
|--------------------------------------|-----------------------|-------------------------|----------|------------------------------|--------------------------------------------------------------------------------------------------------|----------|---------|------|
| 1 | POLYPHENYLENE SULFIDE | LIGHT BROWN, UL94V-0 | 2 | PHOSPHOR BRONZE | CONTACT: GOLD PLATING 0.2μm MIN LEAD : TIN REFLOW PLATING 1μm MIN UNDER : NICKEL PLATING 1μm MIN | | | |
| NO. | MATERIAL | FINISH . REMARKS | NO. | MATERIAL | FINISH . REMARKS | | | |
| UNITS | mm | SCALE | 5:1 | COUNT | DESCRIPTION OF REVISIONS | DESIGNED | CHECKED | DATE |
| HRS HIROSE ELECTRIC CO., LTD. | | APPROVED : HS. OKAWA | 15.07.16 | DRAWING NO. EDC-082676-71-21 | | | | |
| | | CHECKED : HT. YAMAGUCHI | 15.07.16 | PART NO. A3A-10DA-2SV(71) | | | | |
| | | DESIGNED : MT. ITANO | 15.07.16 | CODE NO. CL621-1143-3-71 | | | | |
| | | DRAWN : MT. ITANO | 15.07.16 | | | | | |