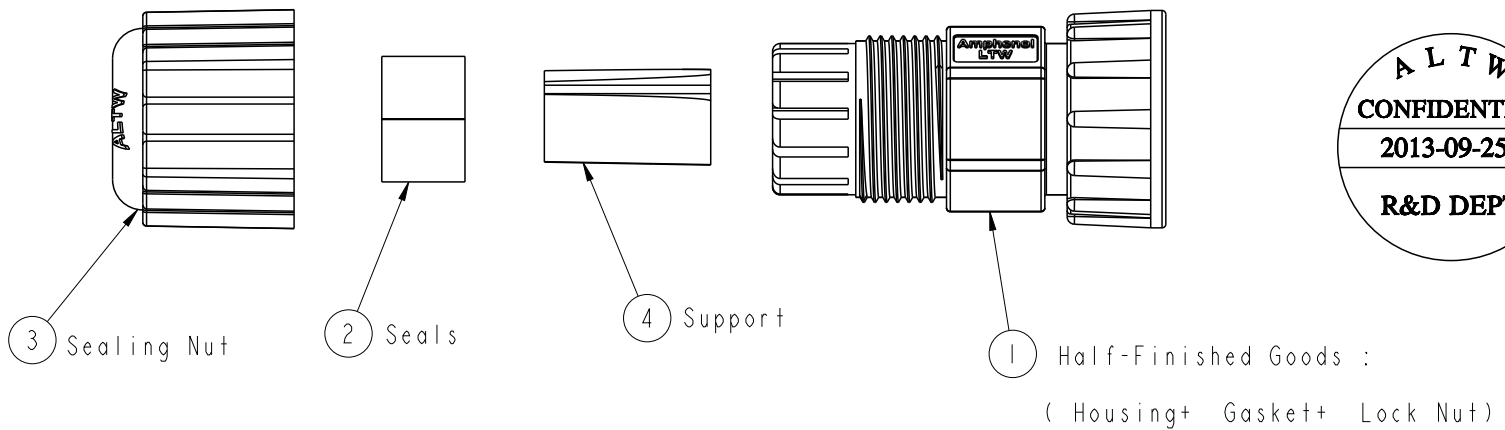
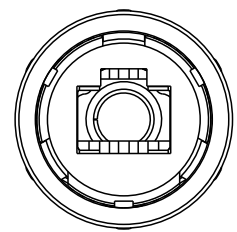
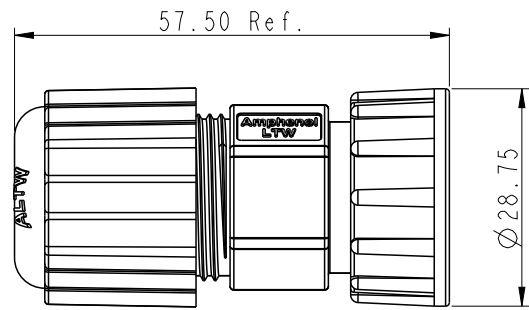


THIS DOCUMENT IS SUBJECT TO CHANGE WITHOUT NOTICE. IT IS CONFIDENTIAL AND A PROPERTY OF AMPHENOL LTW. DISCLOSURE TO THIRD PARTY HAS TO BE AUTHORIZED BY AMPHENOL LTW.

REV.	ECN NO.	DATE	SIGN	DESCRIPTION



**ALTW**  
**CONFIDENTIAL**  
**2013-09-25**  
**R&D DEPT.**



**ALTW**  
**DCC. DEPT.**  
**CONFIDENTIAL**  
**2013.10.02**  
**ISSUED**

- Note:
- \*  $\varnothing$  Important Dimension
  - \* Waterproof Rate : IP67 (Mated)
  - \* Half-Finished Goods: ,UL 94V-0  
     Housing : Nylon,Black  
     Gasket : Silicon,Dgray  
     Screw Nut : Nylon,Black
  - \* Support: Black,TPU
  - \* Sealing Nut: Nylon+GF,Black
  - \* Seals: Silicon,Dgray.
  - \* Cable OD Range : 5.0~6.5mm
  - \* Sealing Nut Torsion Value Range: 8~15kgf-cm
  - \* One Set Unassembled in One PE Bag.

UNIT : mm		
TOLERANCE	±0.25	
.X	±0.1	
.XX	±0.05	
.XXX	±1°	
ANGLES		

TITLE RJ45 FEED-THRU, 3T LOCK, DSIZE			
SCALE 1:1	SIZE A4	SHEET 1 OF 1	
REV. A	WC-REV. A.2	⊙: Inspection item	

**Amphenol LTW**  
**安費諾亮泰企業股份有限公司**

ITEM NO. RDP-00BMMS-TLM7001	DRAWN BY Raison_liao	DATE 2013-09-25
DWG NO. RDP-00BMMS-TLM7001	CHECKED BY TONY	DATE 2013-09-25
CUSTOMER ALTW	APPROVED BY VICTOR	DATE 2013-09-25

A B C D E F