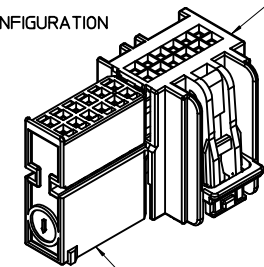


DELIVERY CONFIGURATION

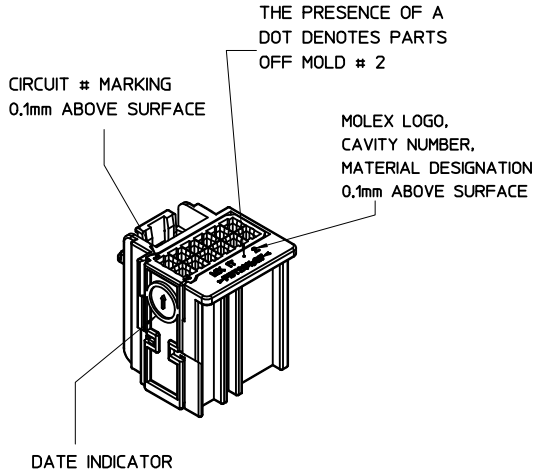
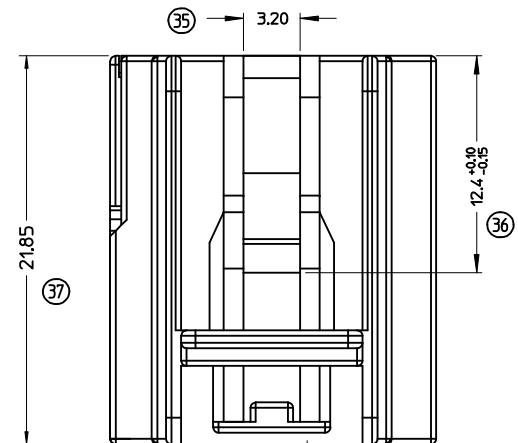
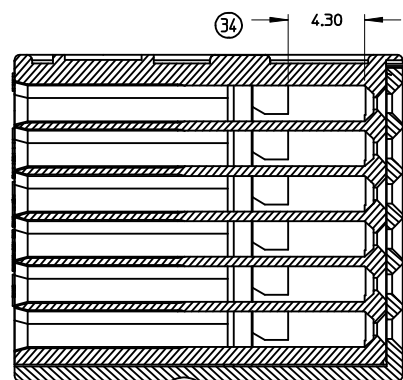
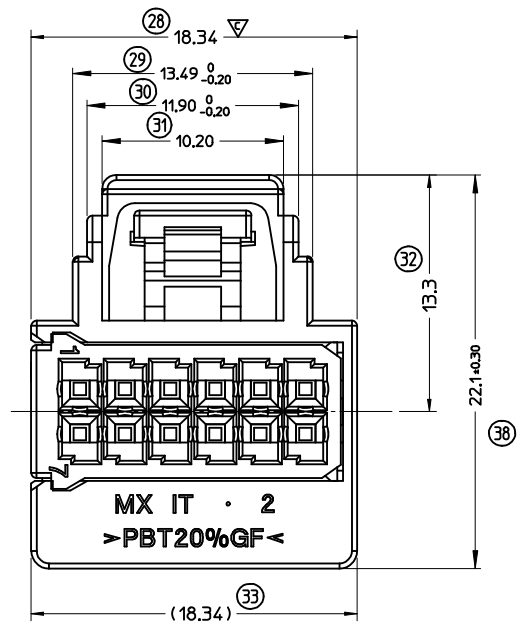
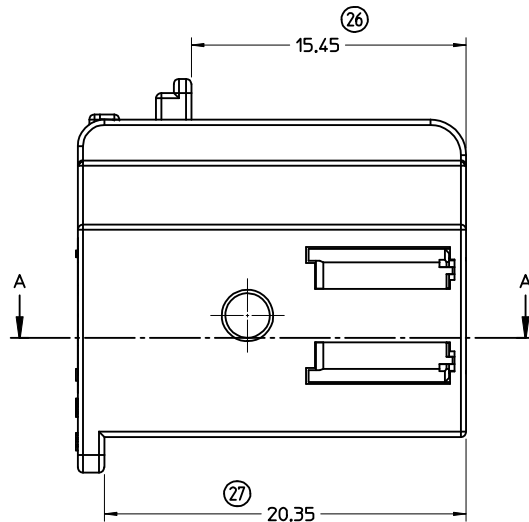
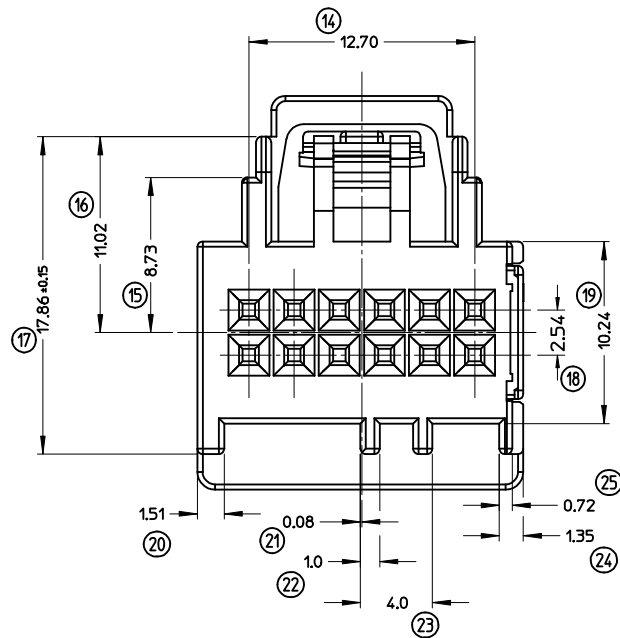


TERMINAL RECEPTACLE MODULE

- 1) MATERIAL: GLASS FILLED PBT, BLACK COLOR
- 2) USED WITH 98658 SERIES TERMINALS
- 3) MATES WITH 31341-2641 SERIES USCAR HEADERS
- 4) PACKAGING: IN CARTON BOXES (SEE DRAWING PK-94552-001 FOR DETAILS)
- 5) SPQ: 15840 pcs
- 6) IN THE EVENT OF PARTIAL OR TOTAL SEPARATION, PARTS DO NOT LOOSE THEIR FUNCTIONALITY

STD. DESCR: RECEPTACLE FOR MOX TERM, 12 CKT

EC NO: Z2014-0081 DRWN: SBARBIER 2014/01/09 CHKD: LSANTESSO 2014/01/10 APPR: FBISELLO 2014/01/10	QUALITY SYMBOLS ▽ - 0 ∇ - 0	GENERAL TOLERANCES (UNLESS SPECIFIED)		SCALE 5:1	DESIGN UNITS METRIC	FIRST ANGLE PROJECTION	REVISE ON CAD ONLY
		4 PLACES ± 0.10	3 PLACES ± 0.15	DIMENSION STYLE MM ONLY			
REV	DESCRIPTION	2 PLACES ± 0.13	1 PLACE ± 0.25	DRAWN BY SBARBIER	DATE 2007/04/11	TITLE 12 CKT POL. A USCAR 0.64MM RECEPTACLE FOR 98658 SERIES TERMINAL	
		ANGULAR ± 3°		CHECKED BY LSANTESSO	DATE 2007/04/11	MATERIAL NO. 94552-9012 DOCUMENT NO. SD-94552-002	
DRAFT WHERE APPLICABLE MUST REMAIN WITHIN DIMENSIONS		APPROVED BY FBISELLO		DATE 2007/04/11	SHEET NO. 1 OF 2		A2
THIS DRAWING CONTAINS INFORMATION THAT IS PROPRIETARY TO MOLEX INCORPORATED AND SHOULD NOT BE USED WITHOUT WRITTEN PERMISSION							



THE PRESENCE OF A DOT DENOTES PARTS OFF MOLD # 2

EC NO: Z2014-0081 DRWN: SBARBIER 2014/01/09 CHKD: LSANTESSO 2014/01/10 APPR: FBISELLO 2014/01/10	QUALITY SYMBOLS	GENERAL TOLERANCES (UNLESS SPECIFIED)	SCALE 5:1	DESIGN UNITS METRIC	FIRST ANGLE PROJECTION	REVISE ON CAD ONLY
	▽ 0	4 PLACES ± --- ± ---	mm INCH	DIMENSION STYLE MM ONLY	TITLE	
	▽ 1	3 PLACES ± --- ± ---		DRAWN BY SBARBIER DATE 2007/04/11	12 CKT POL. A USCAR 0.64MM RECEPTACLE FOR 98658 SERIES TERMINAL	
		2 PLACES ± 0.13 ± ---		CHECKED BY LSANTESSO DATE 2007/04/11	MATERIAL NO. SD-94552-002	
	1 PLACE ± 0.25 ± ---	ANGULAR ± 3°		APPROVED BY FBISELLO DATE 2007/04/11	DOCUMENT NO. SD-94552-002	
		DRAFT WHERE APPLICABLE		THIS DRAWING CONTAINS INFORMATION THAT IS PROPRIETARY TO MOLEX INCORPORATED AND SHOULD NOT BE USED WITHOUT WRITTEN PERMISSION		
		MUST REMAIN WITHIN DIMENSIONS		SHEET NO. 2 OF 2		