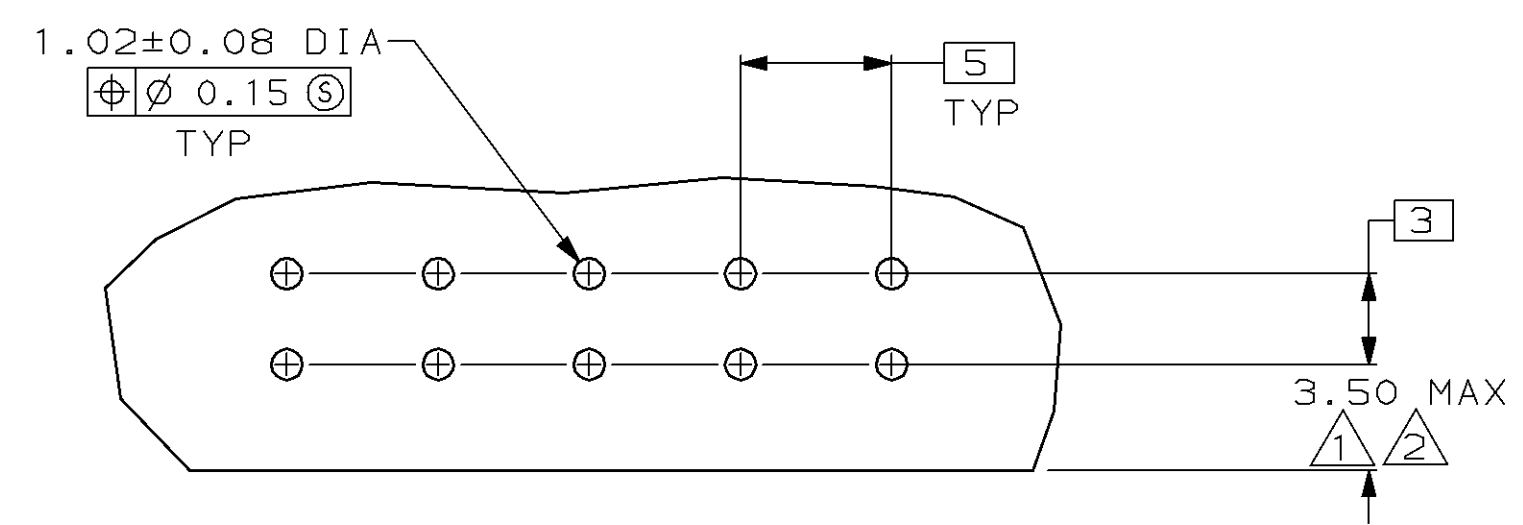
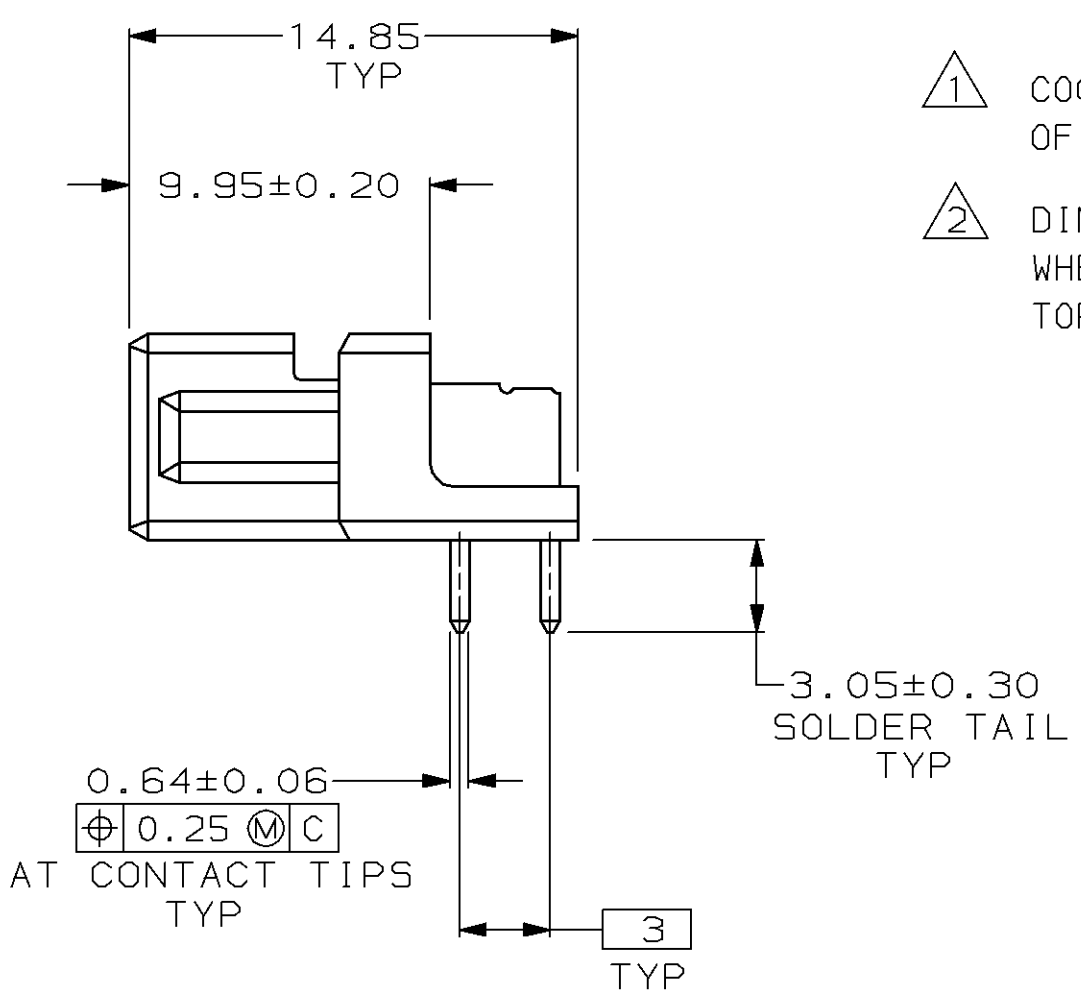
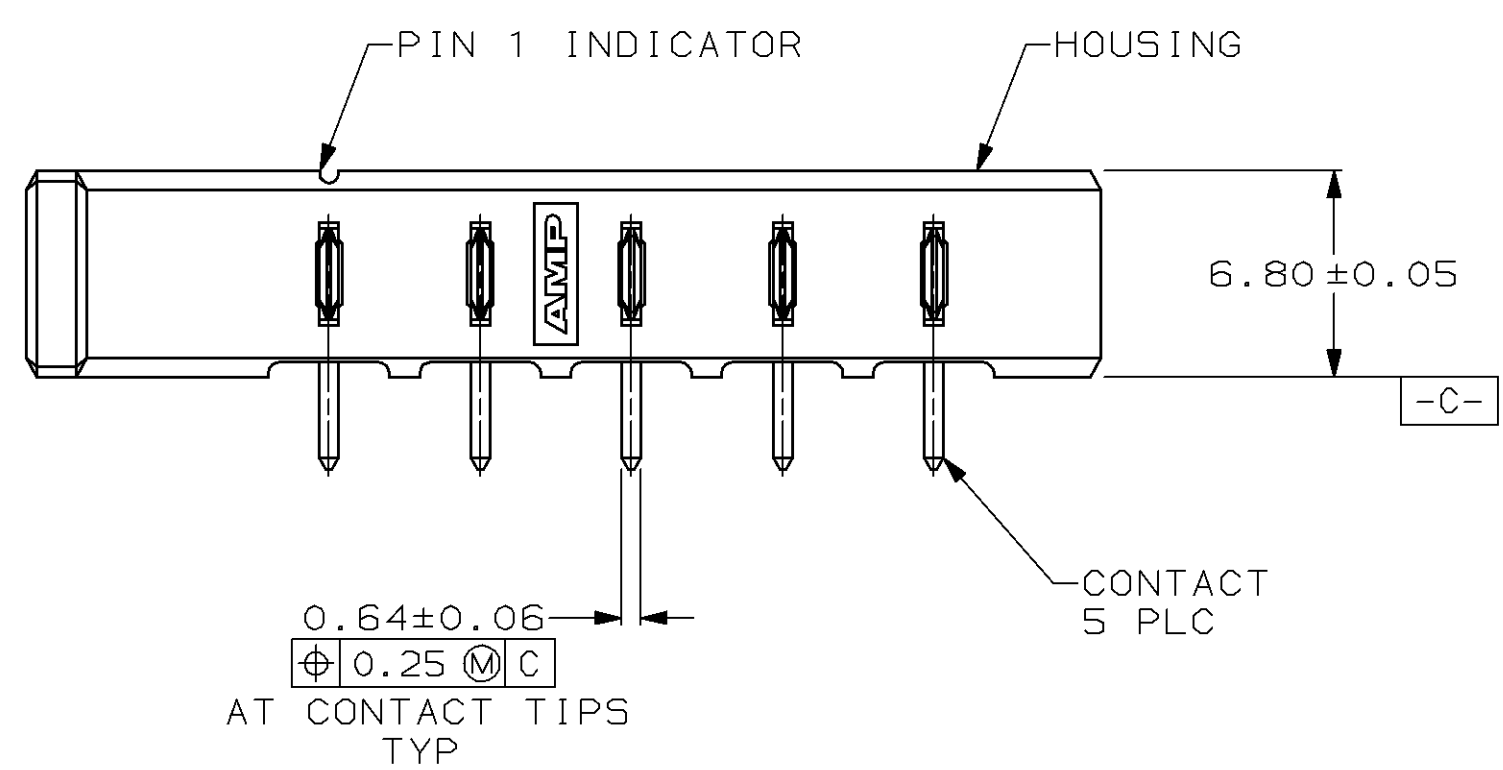
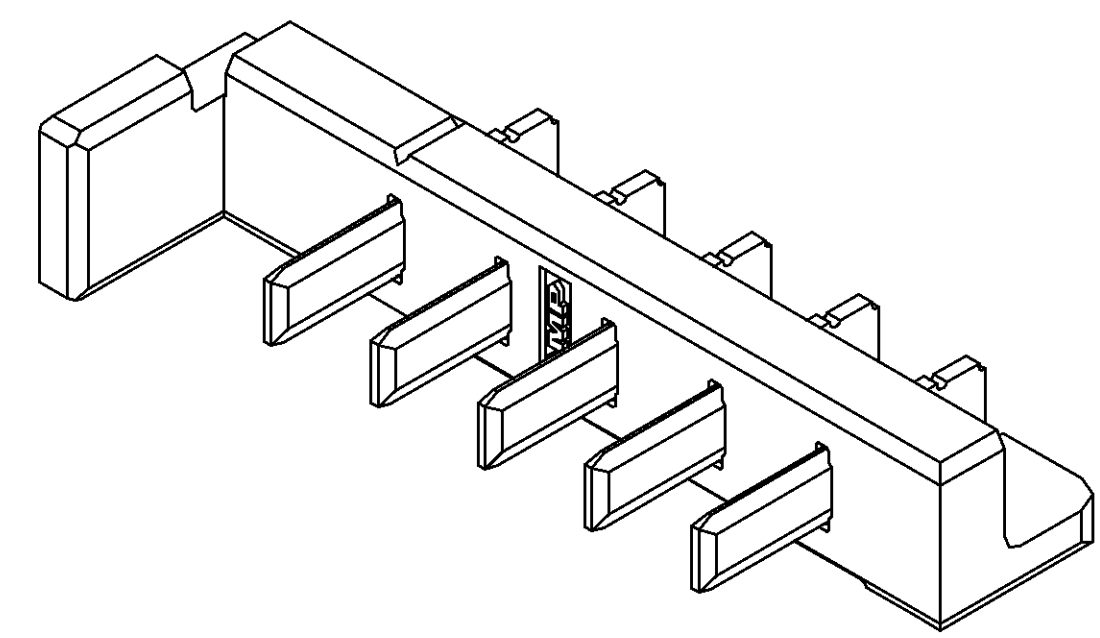
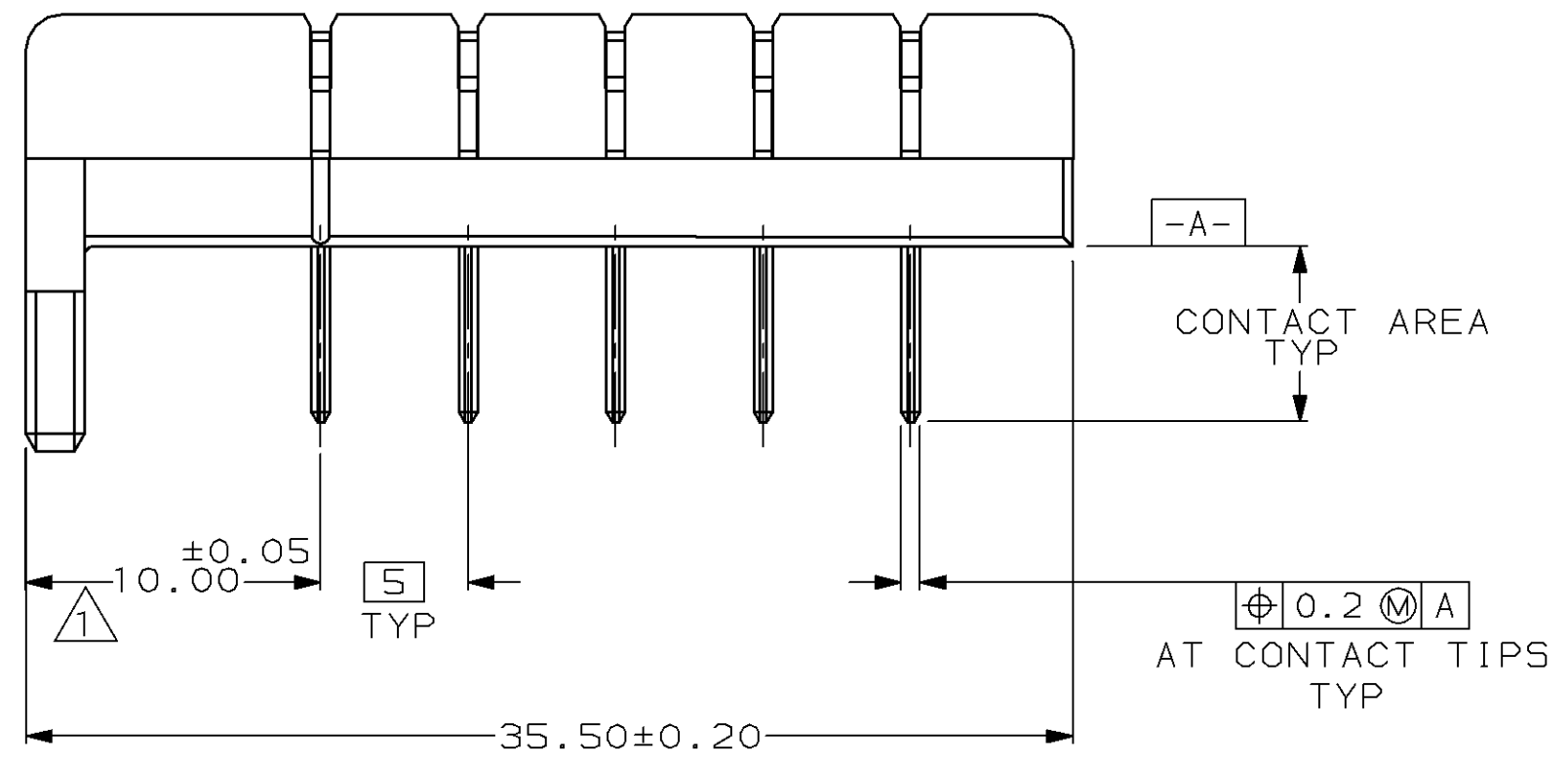


THIS DRAWING IS UNPUBLISHED. RELEASED FOR PUBLICATION
 © COPYRIGHT 19 BY AMP INCORPORATED. ALL INTERNATIONAL RIGHTS RESERVED.

LOC	DIST	P	F	ZONE	LTR	REVISIONS		
						DESCRIPTION	DATE	APPD
AD	39				0	RELEASED -1 PER NPR 5167	08/24/94	RSK
					A	REV PER EC 0020-1339-94	12/08/94	RK
					B	REV PER EC 0020-0657-96	12/06/96	RK



DO NOT SCALE PRINT. UNLESS SPECIFIED DIMENSIONS IN mm TOLERANCES ON:		DR 08-24-94 D.HARDY	AMP Incorporated Harrisburg, PA 17105-3608	
2 PLC DEC ± 0.10		CHK 08-25-94 R.STONE		
3 PLC DEC \pm		APPD 08-30-94 R.S.KLINE	NAME	
ANGLES \pm		APPD 08-30-94 R.S.KLINE	HEADER ASSEMBLY, RIGHT ANGLE, 5mm CENTERLINE, 5 POSN, 10.8V, BATTERY INTERCONNECT	
MATERIAL	HOUSING: LCP COLOR: BLACK CONTACTS: BRASS	PRODUCT SPEC 108-1501	SIZE	CAGE CODE
FINISH	CONTACTS: 2.54 μ m MIN TIN-LEAD ON SOLDER TAIL OVER 1.90 μ m MIN NICKEL ALL OVER	APPLICATION SPEC -	C	00779
THIS DRAWING IS A CONTROLLED DOCUMENT FOR AMP INCORPORATED. IT IS SUBJECT TO CHANGE AND THE CONTROLLING ENGINEERING ORGANIZATION SHOULD BE CONTACTED FOR THE LATEST REVISION.		WEIGHT	SCALE	DRAWING NO
		-	4:1	G=787259
				SHEET
				1 OF 1