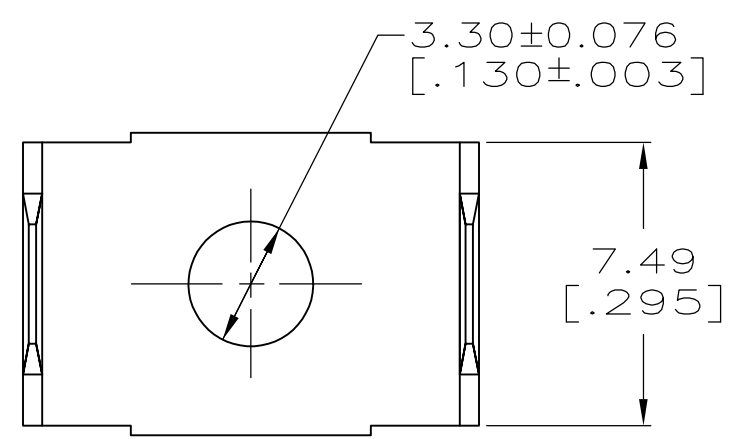
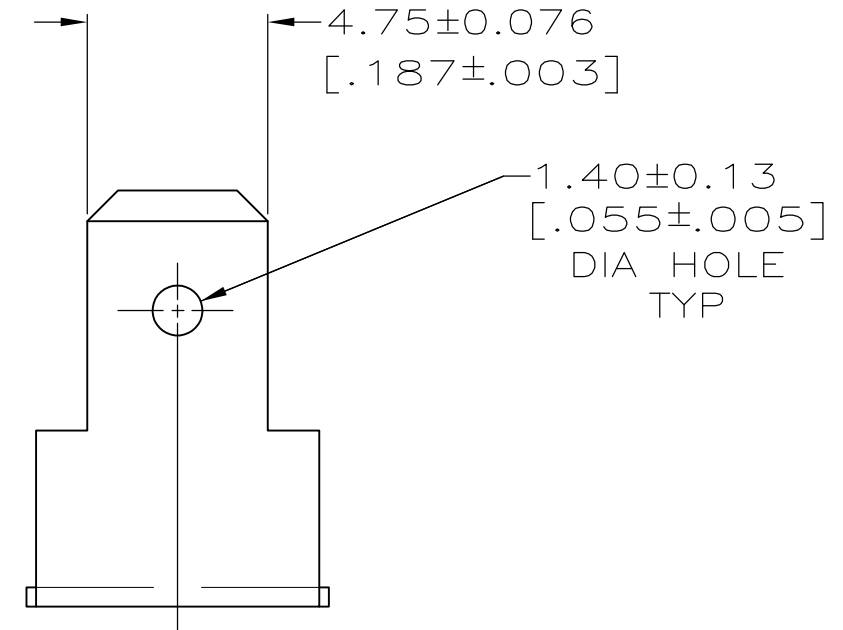
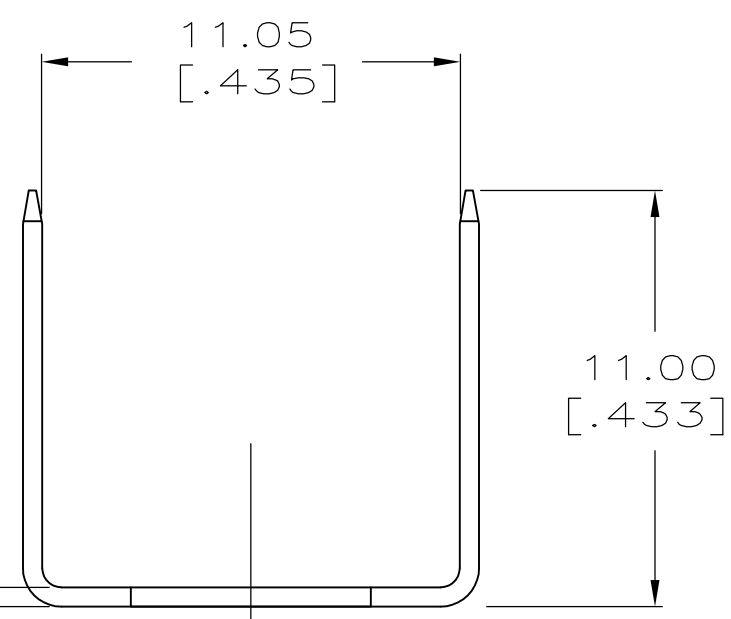


THIS DRAWING IS UNPUBLISHED. RELEASED FOR PUBLICATION  
 © COPYRIGHT BY TYCO ELECTRONICS CORPORATION. ALL RIGHTS RESERVED.

LOC	DIST	REVISIONS			
P	LTR	DESCRIPTION	DATE	DWN	APVD
AF	50	C	REVISED PER ECR-10-004058	08JUN10	HMR PD



1 CONTINUOUS STRIP ON REELS.



0.51 ± 0.025  
[.020 ± .001]

61951-1  
PART NO.

THIS DRAWING IS A CONTROLLED DOCUMENT.		DWN JR RUTH 30JUN99	Tyco Electronics Corporation Harrisburg, PA 17105-3608		
DIMENSIONS: mm [INCHES]		CHK MS FEHER 30JUN99	APVD P DESANTIS 30JUN99		
TOLERANCES UNLESS OTHERWISE SPECIFIED:		NAME			
0 PLC ± - 1 PLC ± - 2 PLC ± 0.38 [.015] 3 PLC ± - 4 PLC ± - ANGLES ± -		PRODUCT SPEC			
MATERIAL 082 BRASS		APPLICATION SPEC			
FINISH TIN		WEIGHT -		RESTRICTED TO	
		SIZE A3		CAGE CODE 00779	
		DRAWING NO C-61951		SCALE 5:1	
		CUSTOMER DRAWING		SHEET 1 OF 1	
				REV C	