

1

2

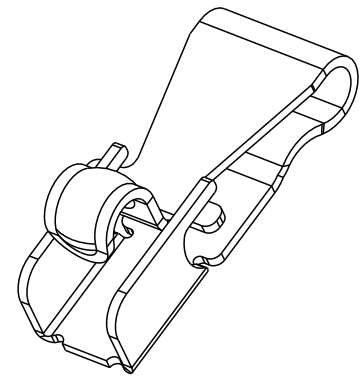
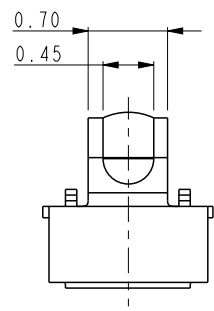
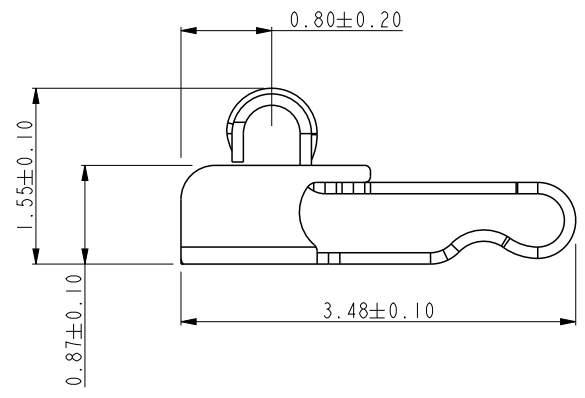
3

4

	PRODUCT NO.
FCI	10118534-001RLF
	10118534-003RLF
	10118534-009RLF

A

B

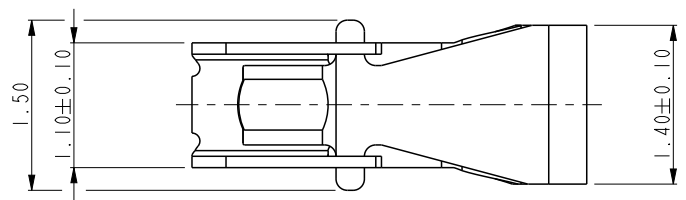


A

B



C



C

NOTES:

- 1. MATERIAL: COPPER ALLOY.
- 2. CONTACT PLATING:  
CONTACT AREA: PLATING Au OR GXT OVER Ni UNDERPLATE.  
(GXT = GOLD FLASH + PdNi)  
SOLDER AREA: PLATING GOLD FLASH OVER Ni UNDERPLATE.
- 3. PACKAGING: TAPE & REEL
- 4. PART NUMBER DESCRIPTION:  
10118534- 0 0 X X X

LF: LEAD FREE  
R: TAPE & REEL

CONTACT PLATING:  
1: 1um Au OVER Ni  
3: GOLD FLASH OVER Ni  
9: 1um GXT OVER Ni

rev	ecn no	dr	date
A	INITIAL RELEASE	AL	2012-08-24
-	-	-	-
-	-	-	-
-	-	-	-
-	-	-	-

Copyright FCI.

D

spec ref	*	dr	Andy Lu	2012/08/24	projection 	mm 	size	A4	scale	15.000			
tolerance std	TOLERANCES UNLESS OTHERWISE SPECIFIED	eng	Andy Lu	2012/08/24			ecn no	-					
ASME Y14.5		chr	-	-			rel level	Released					
surface	✓	appr	Pei-Ming Zheng	2012/08/27	product family	-	linear	0.X	±0.3	 <b>www.fci.com</b>	title ANTENNA CONNECTOR UNIVERSAL CONTACT cat. no.	dwg no 10118534	rev A
							angular	0°	±2°				
ASME Y14.5													
Product - Customer Drw						sheet 1 of 1							

Pro/E File - REV C - 2009-06-09

2

3

4