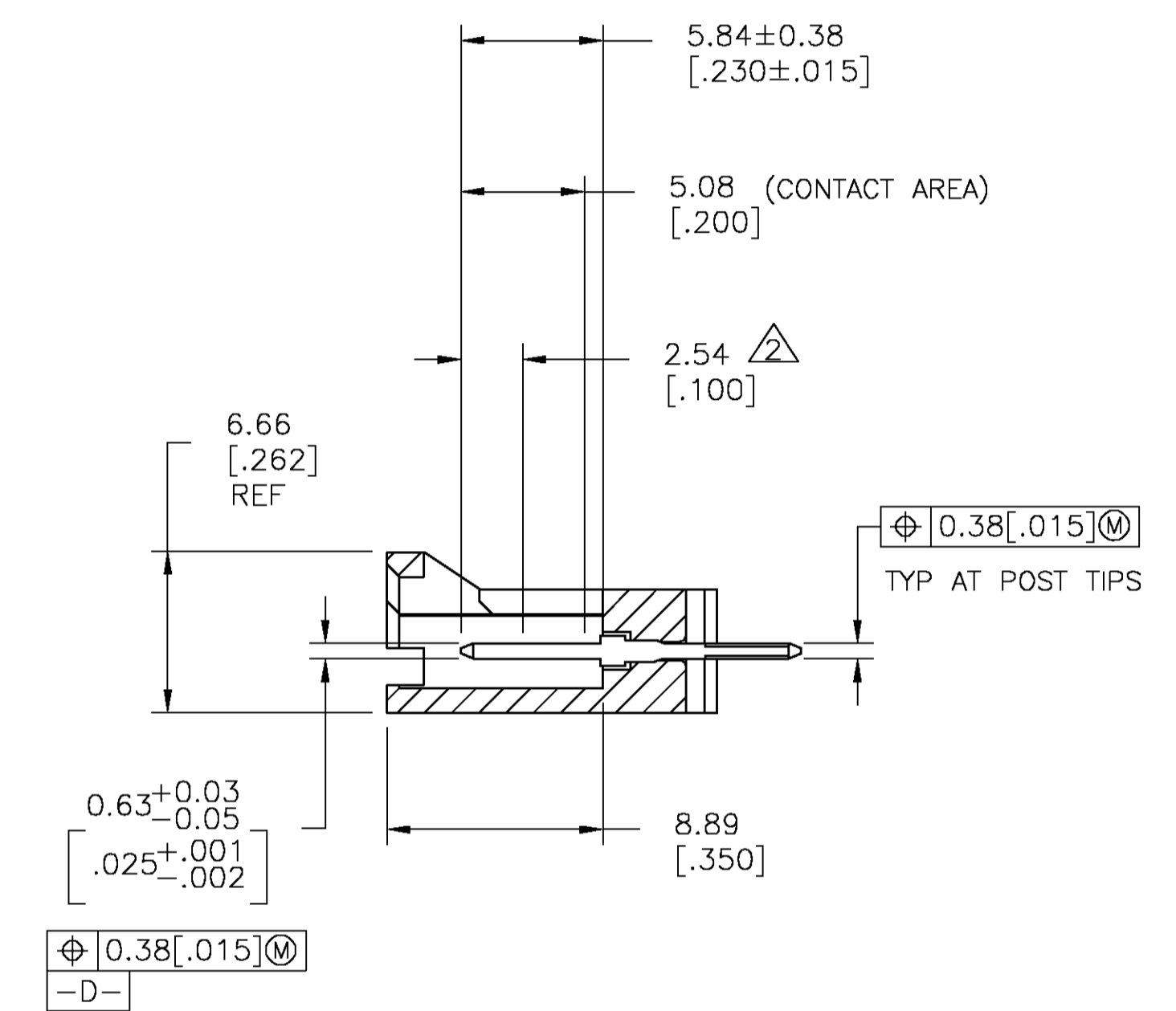
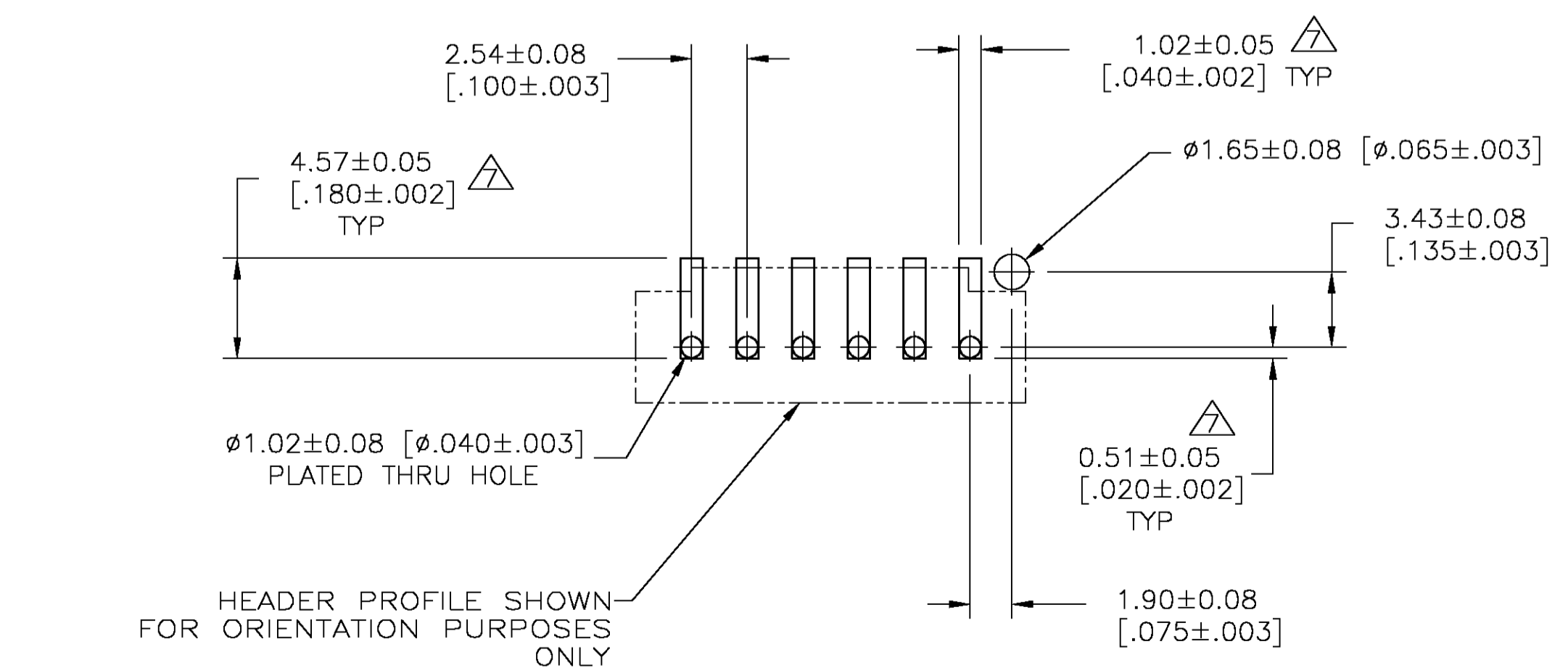


DETAIL Z
 POST DETAIL TYP
 2 POST MINIMUM



- 1 FINISH: 0.00254[.000100] BRIGHT TIN OVER 0.00127[.000050] NICKEL.
- 2 POINT OF MEASUREMENT FOR PLATING THICKNESS.
- 3 THE NOTED DIMENSIONS APPLY FROM THE BASIC DIMENSION CENTER LINE (NOT THE POST CENTER LINE) TO THE SURFACE INDICATED.
- 4 ONE POLARIZATION SLOT FOR 2 POSITION ASSEMBLY ONLY.
- 5 SELECT POST TAILS FORMED TO PROVIDE CONNECTOR HOLD DOWN UNTIL SOLDERED, CONFIGURATION ACCEPTS 0.69[.027]-2.03[.080] THICK PRINTED CIRCUIT BOARD. (SEE DETAIL Z).
- 6 PARTS ARE PACKAGED IN GANG OF TUBES.
- 7 DIMENSIONS NOTED ARE FOR SOLDER STENCIL LAYOUT FOR USE WITH 1.58±0.20[.062±.008] THICK PRINTED CIRCUIT BOARDS.
- 8 MATERIAL- HOUSING: HIGH TEMP THERMOPLASTIC, COLOR-BLACK. POSTS: BRASS.
- 9 FINISH: 0.00254[.000100] MATTE TIN OVER 0.00127[.000050] NICKEL.
- 10 OBSOLETE PART NUMBER



RECOMMENDED PC BOARD MOUNTING DIMENSIONS
 RECOMMENDED STENCIL THICKNESS = 0.25[.010]

9	33.02 [1.300]	30.99 [1.220]	1 1	1 2	6-147750-1
9	33.02 [1.300]	30.99 [1.220]	1 1	1 2	5-147750-1
1	33.02 [1.300]	30.99 [1.220]	1 1	1 2	1-147750-1
PLATING	C	B	A	NO. OF POSN	PART NO.

THIS DRAWING IS A CONTROLLED DOCUMENT.

DIMENSIONS:	TOLERANCES UNLESS OTHERWISE SPECIFIED:	DIN R BROWN	02APR01	AMP Tyco Electronics Corporation Harrisburg, PA 17105-3608	
MATERIAL:	FINISH: SEE TABLE	CHK K WRIGHT	02APR01	APVD K WRIGHT	02APR01
0 PLC	± -	NAME: POLARIZED HDR ASSY, AMPMODU MTE, VERTICAL SINGLE ROW, 2.54[.100] CL, 0.64[.025] SQ POSTS, WITH LATCHING WITH SWAGE		SIZE: A1	00779
1 PLC	± -	APPLICATION SPEC		SCALE: 4:1	SHEET 1 OF 1
2 PLC	± 0.13[.005]	WEIGHT: -		REV: C	147750
3 PLC	± -	CUSTOMER DRAWING			
4 PLC	± -				
ANGLES	± -				