

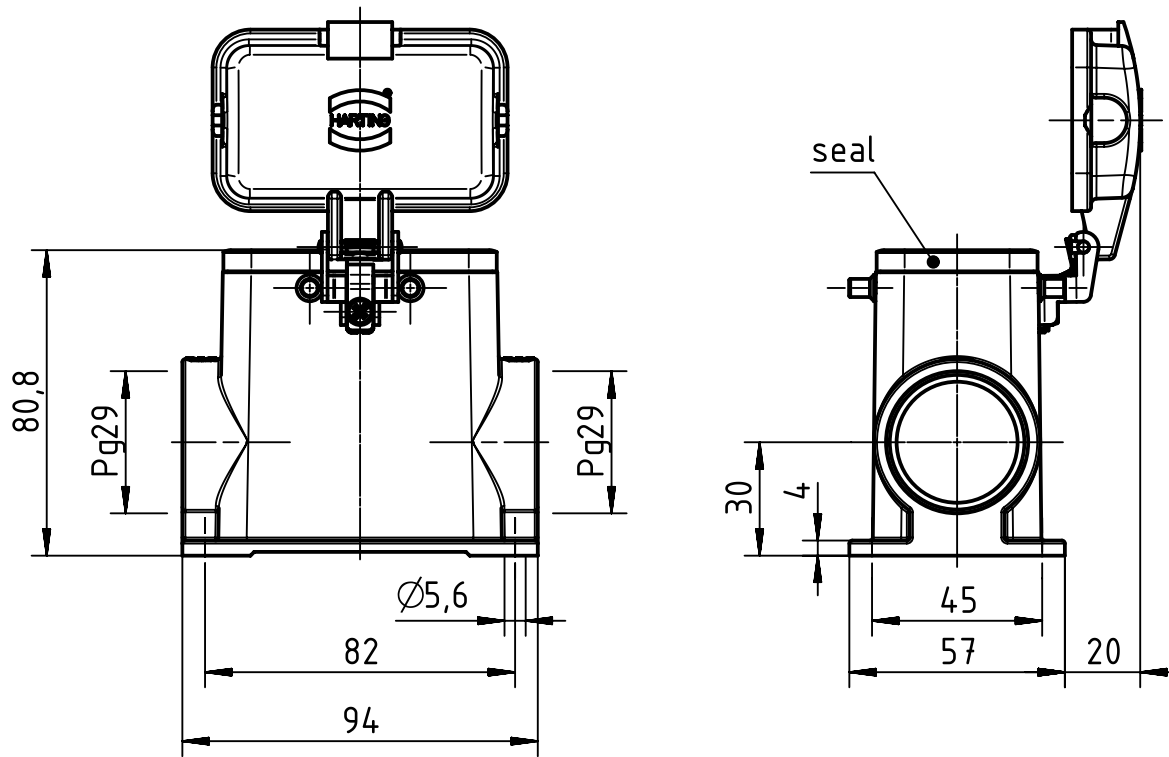
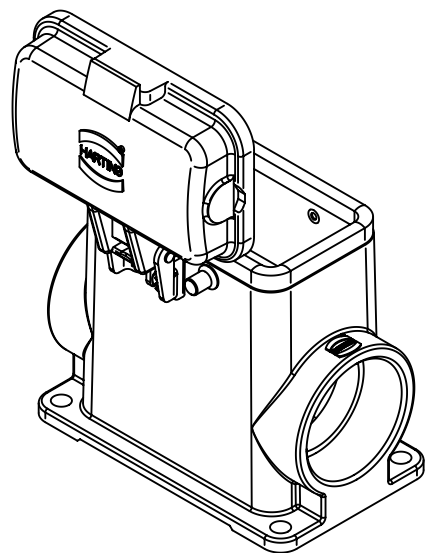
1 2 3 4 5 6


A

B

C

D



	All rights reserved Department EL PD - DE	All Dimensions in mm Original Size DIN A4		Scale 1:2	Free size tol.	Ref. Sub. TB 09 30 010 2263 v. 10.12.08	
		HARTING Electric GmbH & Co. KG D-32339 Espelkamp	Created by SPREENB	Inspected by BERGHORN	Standardisation TIEMANNA	Date 2014-01-30	State Final Release
Title Han 10B-asg2-K-29 (Ak in Al)						Doc-Key / ECM-Nr. 100561389/UGD/004/A 500000071121	
Type TB				Number 09 30 010 2263		Rev. A	Page 1/1