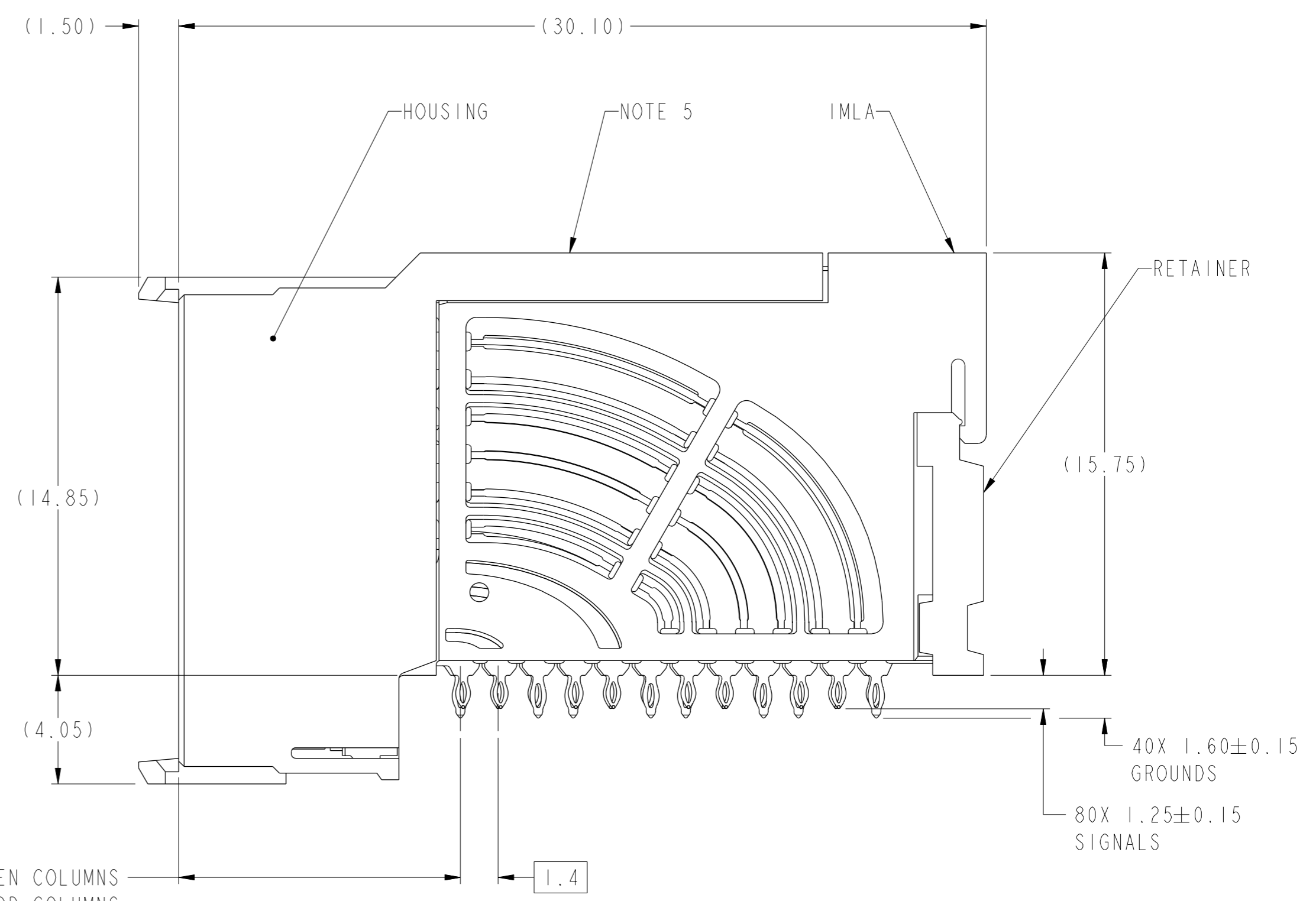
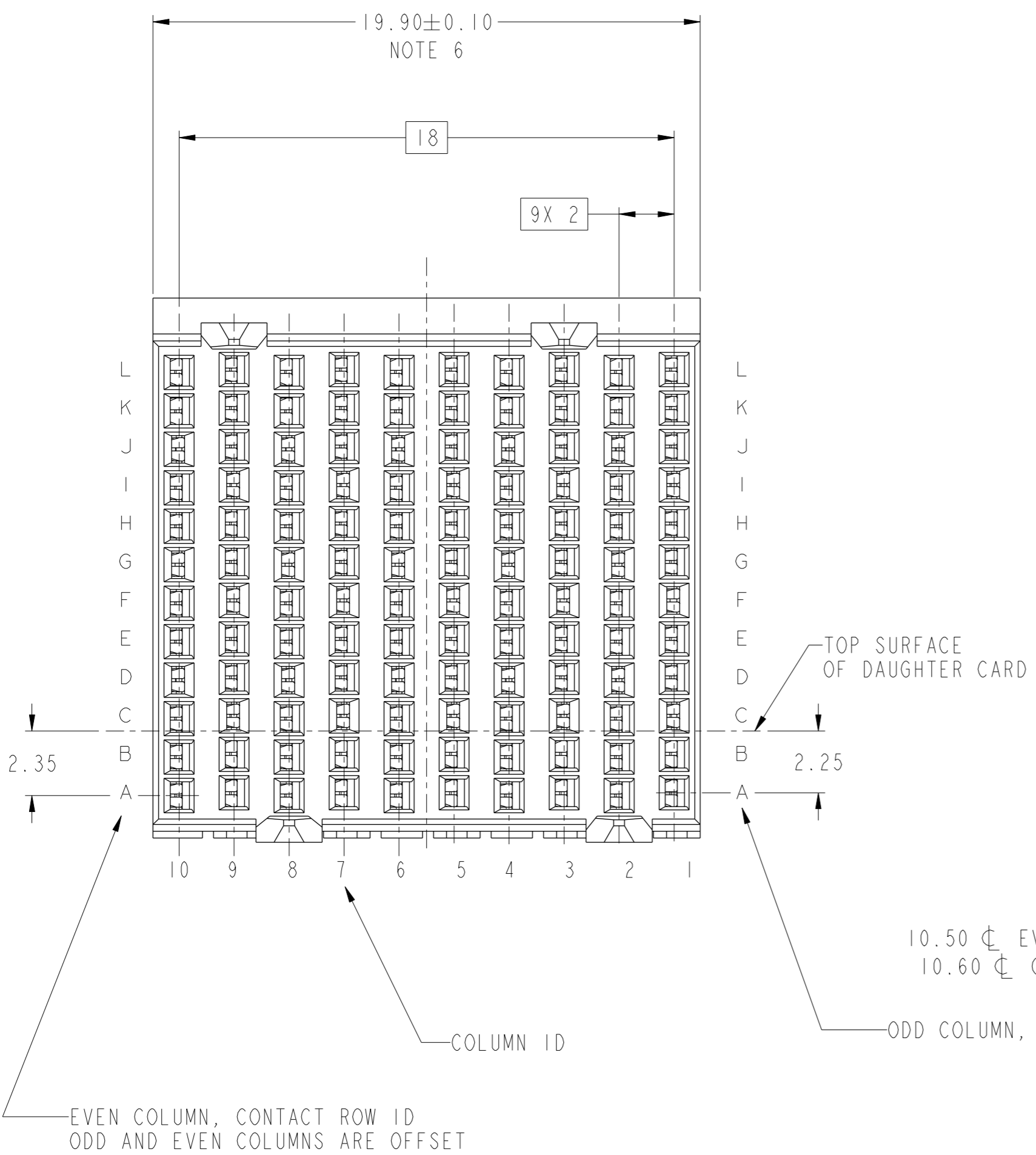


PRODUCT NUMBER
SEE SHEET 3



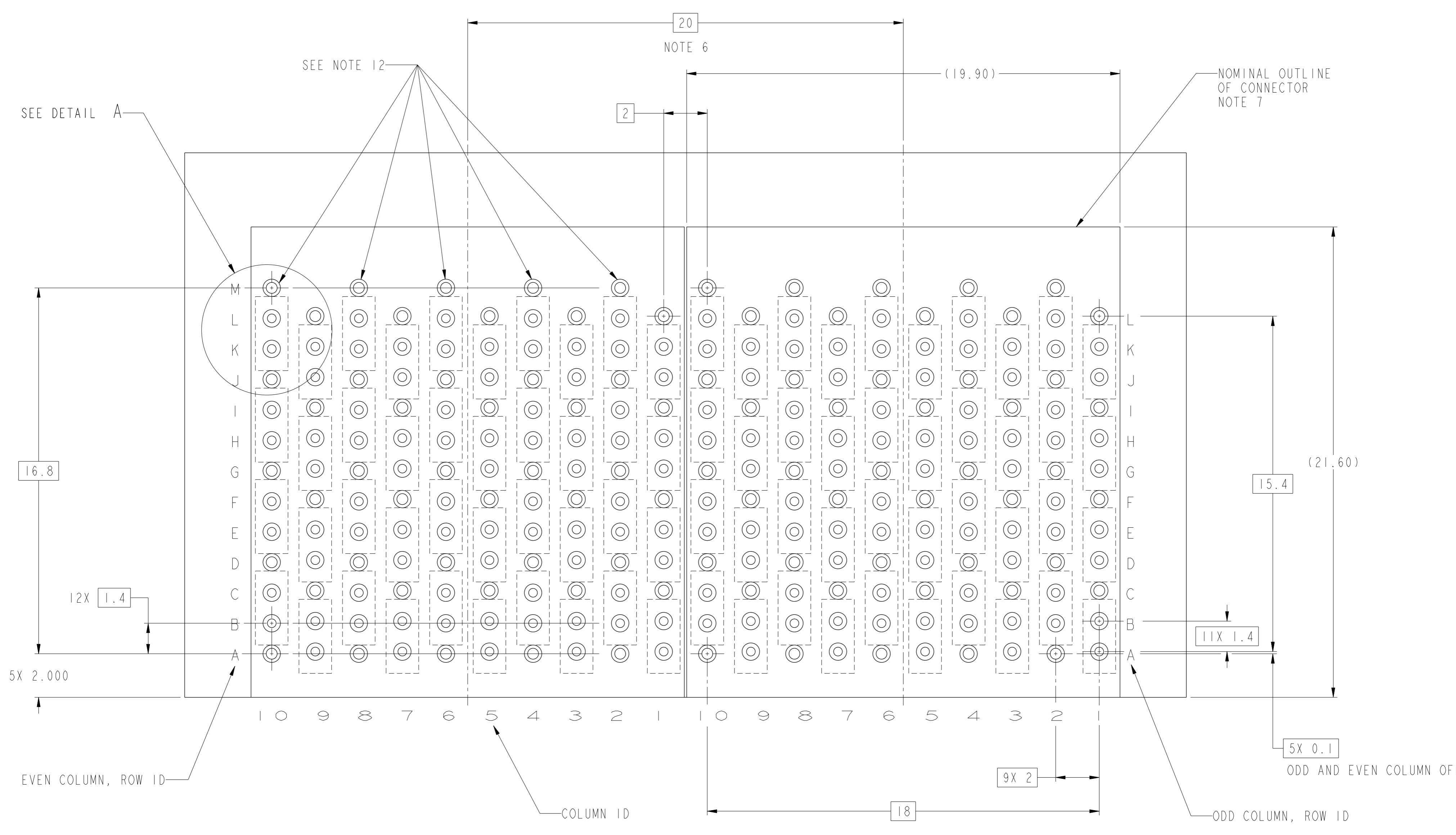
spec ref	---	dr	D Johnescu	20120302	projection	MM	size	A2	scale	1:1	
tolerance std	ASME Y14.5M	eng	Jackie Chen	20150108			ecn no	ELX-DG-19888-1	rel level	Released	
TOLERANCES UNLESS OTHERWISE SPECIFIED				product family							AirMax VSE
surface	✓	chr	-	cat. no.							-
		appr	Collins Lu	20150108	title	AIRMAX VSE R.A. RECEPTACLE ASS'Y, 4 PAIR, 120 POS, 10 IMLA, 20MM	dwg no	10115911	rev	B	
					linear	0.X ±.3 0.XX ±.10 0.XXX ±.050					
					angular	0° ±°					

PDS: Rev :B

STATUS:Released

Printed: Jan 09, 2015

Copyright FCI. FCI



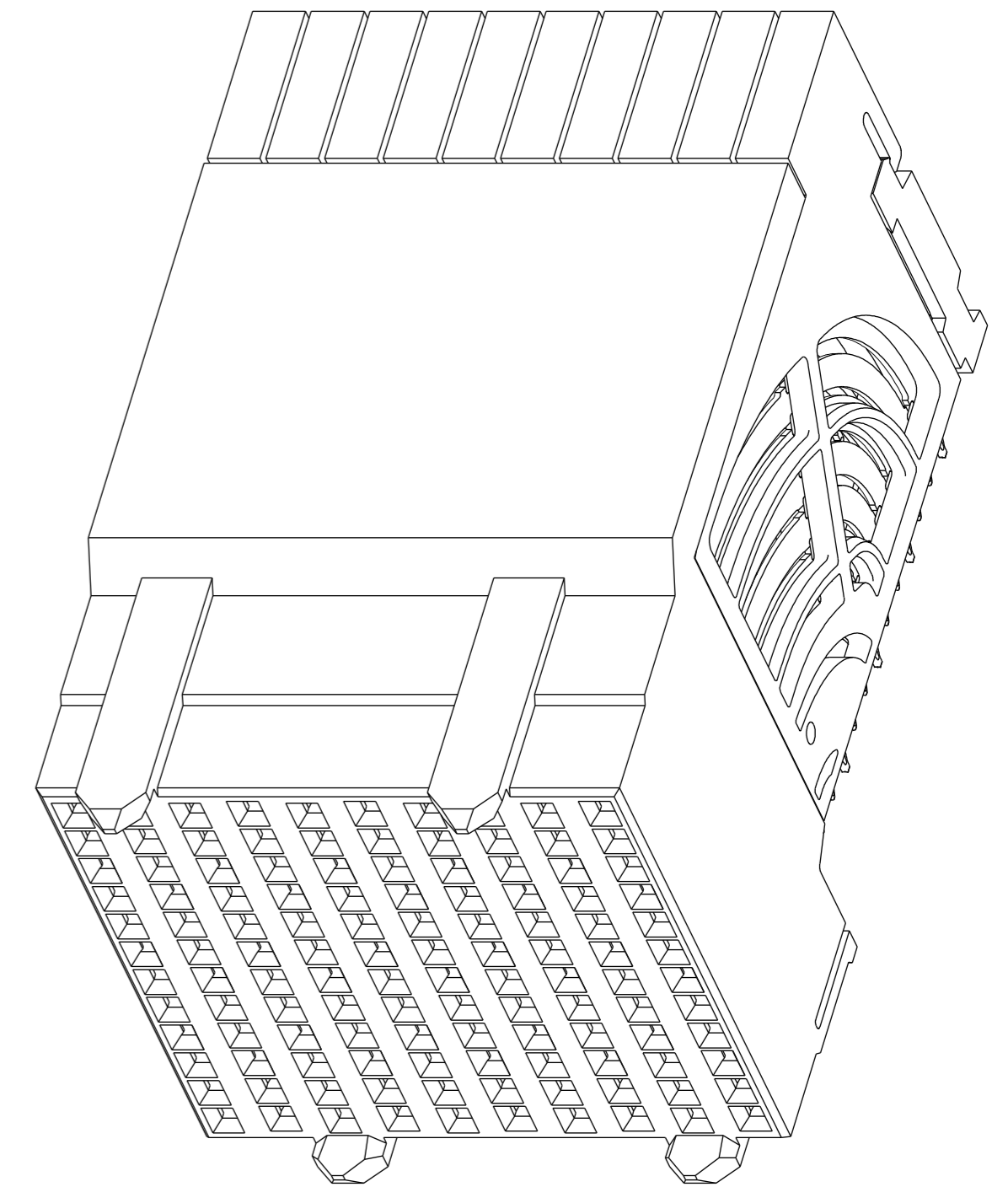
RECOMMENDED PCB LAYOUT
FOR DIFFERENTIAL APPLICATIONS
COMPONENT SIDE
(TWO ADJACENT FOOTPRINTS SHOWN)
NOTES 6, 8, & 11

spec ref	---	dr	D Johnescu	20120302	projection	MM	size	A2	scale	1:1																			
tolerance std	ASME Y14.5M	eng	Jackie Chen	20150108			ecn no	ELX-DG-19888-1																					
TOLERANCES UNLESS OTHERWISE SPECIFIED		chr	-	rel level				Released																					
surface	<table border="1"> <tr> <td>linear</td> <td>0.X</td> <td>±.3</td> </tr> <tr> <td></td> <td>0.XX</td> <td>±.10</td> </tr> <tr> <td></td> <td>0.XXX</td> <td>±.050</td> </tr> <tr> <td>angular</td> <td>0°</td> <td>±°</td> </tr> </table>	linear	0.X	±.3		0.XX	±.10		0.XXX	±.050	angular	0°	±°	appr	Collins Lu	20150108	product family	AirMax VSE	rel level	Released	<table border="1"> <tr> <td>title</td> <td>AIRMAX VSE R.A. RECEPTACLE</td> <td>rev</td> <td>B</td> </tr> <tr> <td>ASS'Y, 4 PAIR, 120 POS, 10 IMLA, 20MM</td> <td></td> <td>diag no</td> <td>10115911</td> </tr> </table>	title	AIRMAX VSE R.A. RECEPTACLE	rev	B	ASS'Y, 4 PAIR, 120 POS, 10 IMLA, 20MM		diag no	10115911
linear	0.X	±.3																											
	0.XX	±.10																											
	0.XXX	±.050																											
angular	0°	±°																											
title	AIRMAX VSE R.A. RECEPTACLE	rev	B																										
ASS'Y, 4 PAIR, 120 POS, 10 IMLA, 20MM		diag no	10115911																										
www.fci.com		cat. no.	-	Product - Customer Drw	sheet 2 of 3																								

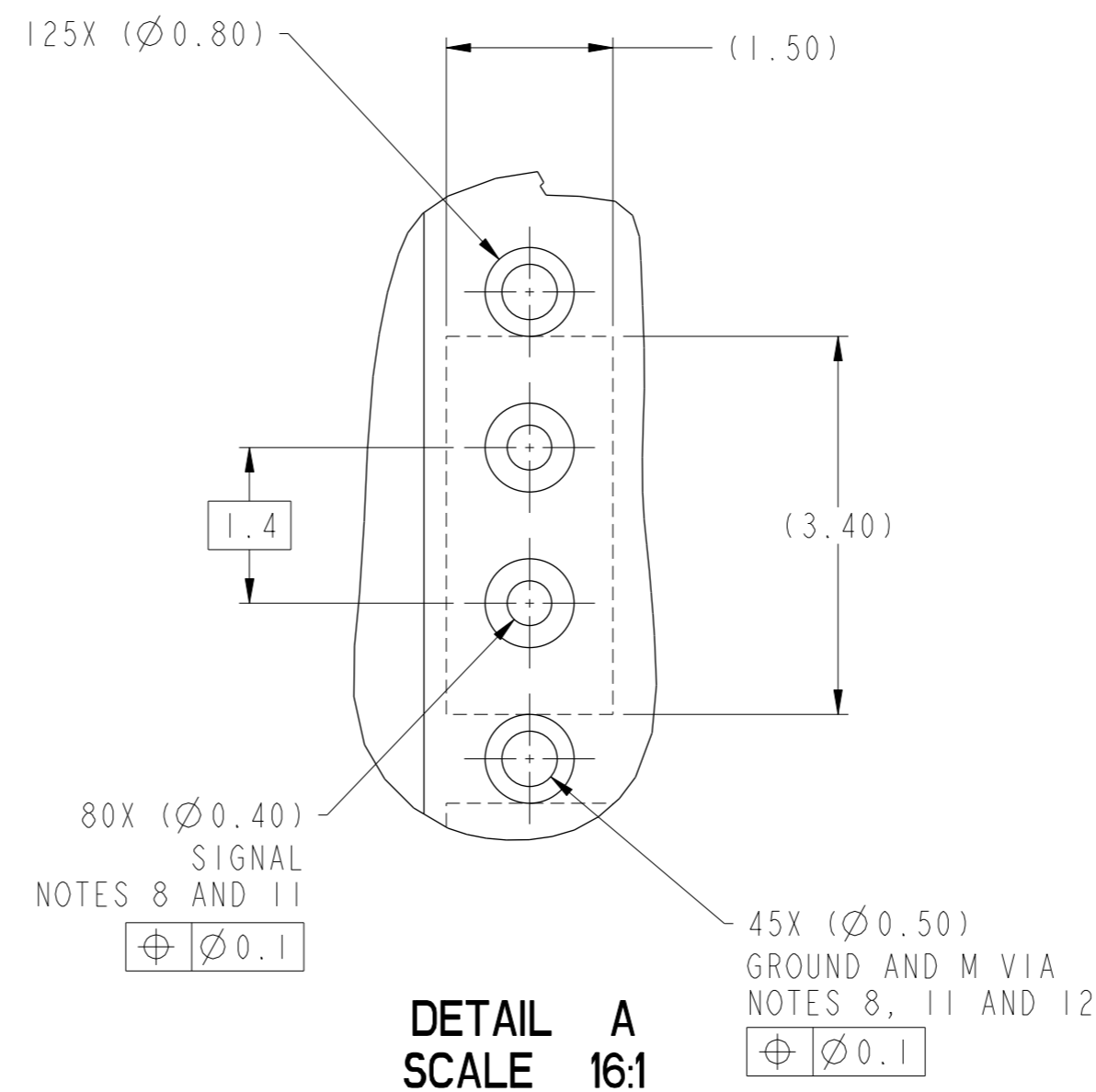
PRODUCT NUMBER	PRESS-FIT TAIL PLATING TYPE
10115911-101	TIN/LEAD ALLOY OVER NICKEL
10115911-101LF	TIN OVER NICKEL (LEAD FREE)

- ① - CONNECTOR MATERIALS:
HOUSING: HIGH TEMP THERMOPLASTIC, NATURAL, UL94-V0
IMLA PLASTIC: HIGH TEMP THERMOPLASTIC, BLACK, UL94-V0
CONTACT: COPPER ALLOY
ORGANIZER: HIGH TEMP THERMOPLASTIC, WHITE, UL94-V0
- 2 - CONTACT PLATING:
SEPARABLE INTERFACE:
PERFORMANCE-BASED PLATING, QUALIFIED TO MEET THE REQUIREMENTS OF FCI PRODUCT SPECIFICATION GS-12-0956 INCLUDING TELCORDIA GR-1217-CORE (NOVEMBER 1995) CENTRAL OFFICE TEST SEQUENCE

PRESS-FIT TAILS: SEE TABLE
- 3 - PRODUCT SPECIFICATION: GS-12-0956
- 4 - APPLICATION SPECIFICATION: GS-20-0305.
- ⑤ - PRODUCT MARKING, (PROTOTYPE, PART NUMBER & LOT CODE), ON THIS SURFACE.
- ⑥ - THE MINIMUM CENTERLINE SPACING BETWEEN ADJACENT MODULES IS 20.0 MM.
- ⑦ - CONNECTOR OUTLINE MAY BE SCREEN PRINTED ONTO CUSTOMER PCB TO BE USED AS A GUIDE FOR MANUAL CONNECTOR PLACEMENT.
- ⑧ - REFER TO CUSTOMER DRAWING 10104444 FOR INFORMATION ON PCB HOLE DIAMETERS AND PLATING OPTIONS
- 9 - LEAD FREE PRODUCT MEETS THE EUROPEAN UNION DIRECTIVES & OTHER COUNTRY REGULATIONS AS DESCRIBED IN GS-22-008
- 10 - PACKAGING MEETS GS-14-920 LEAD FREE LABELING SPECIFICATION.
- ⑪ - GROUND CONTACTS (C,F,I AND L IN ODD COLUMNS AND A,D,G AND J, EVEN COLUMNS) REQUIRE (Ø0.500) FINISHED HOLES. SIGNAL LOCATIONS REQUIRE (Ø0.400) FINISHED HOLES.
- ⑫ - THESE OUTER VIAS (M) ARE OPTIONAL. WHILE NO CONNECTOR EONS ARE PRESSED INTO THESE HOLES, WE RECOMMEND (Ø 0.500) FINISHED HOLES AT THESE LOCATIONS TO PROVIDE GROUND SYMMETRY THROUGH THE PCB



10115911-101 OR -101LF



spec ref	---	dr	D Johnescu	20120302	projection	MM	size	A2	scale	4:1
tolerance std	ASME Y14.5M	eng	Jackie Chen	20150108			ecn no	ELX-DG-19888-1		
TOLERANCES UNLESS OTHERWISE SPECIFIED		chr	-	appr			Collins Lu	20150108	product family	rel level
surface		linear	0.X	±.3		AIRMAX VSE R.A. RECEPTACLE ASS'Y, 4 PAIR, 120 POS, 10 IMLA, 20MM	dwg no 10115911	rev B	Product - Customer Drw	
			0.XX	±.10					sheet 3 of 3	
			0.XXX	±.050						
		angular	0°	±°	www.fci.com	cat. no.	Product - Customer Drw		sheet 3 of 3	

PDS: Rev :B

STATUS:Released

Printed: Jan 09, 2015



Copyright FCI.