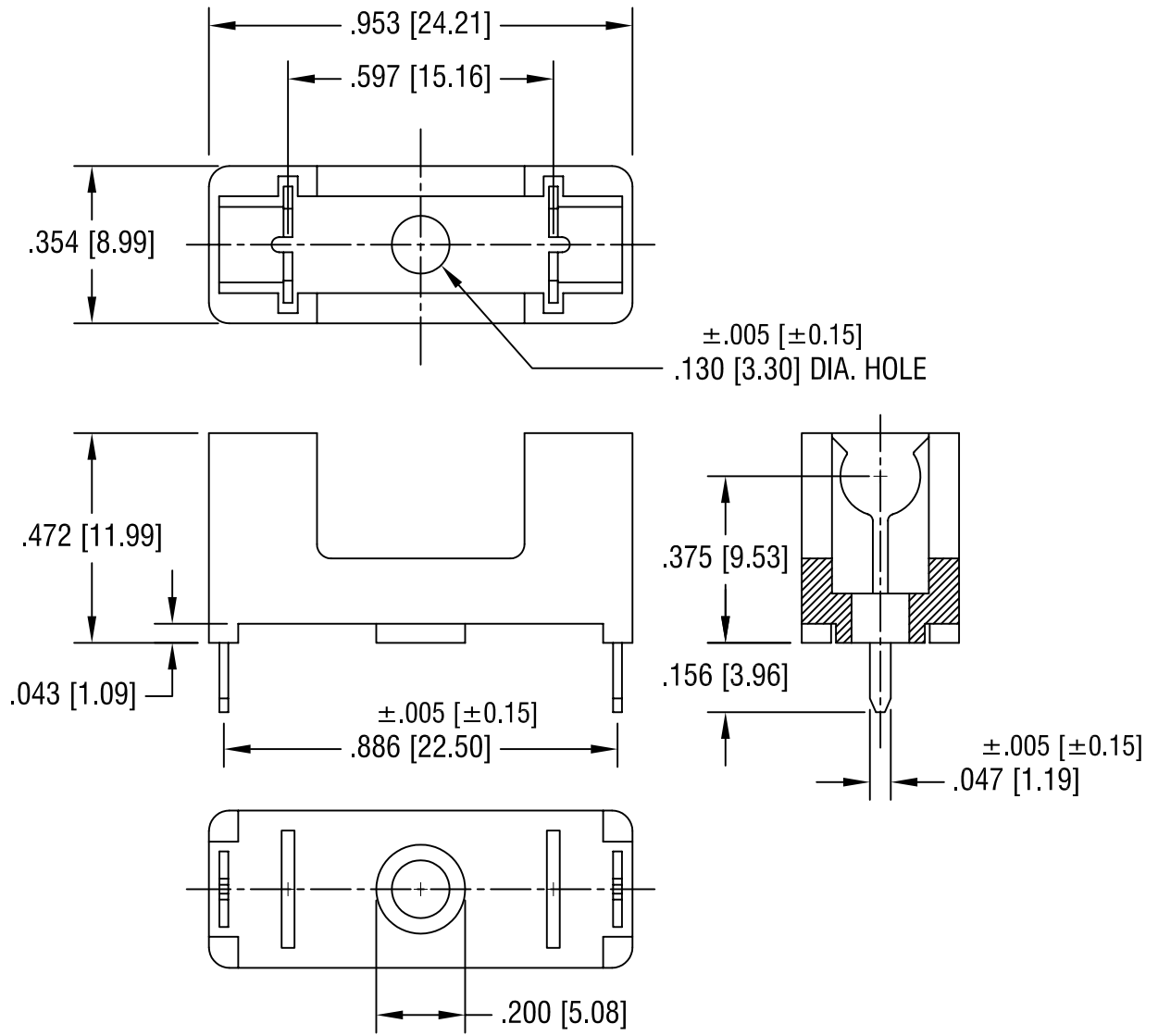


THIS DOCUMENT IS THE PROPERTY OF  
KEYSTONE ELECTRONICS CORP. AND  
SHALL NOT BE REPRODUCED, DISTRIBUTED  
OR USED AS A BASIS FOR MANUFACTURE  
WITHOUT PRIOR WRITTEN PERMISSION  
FROM KEYSTONE ELECTRONICS CORP.



**NOTES:**

1. BASE: MAT'L - NYLON  
CONTACT: MAT'L - .020 [0.05] TH'K BRASS  
FINISH - TIN PLATE
2. MOUNTING HOLES (2): .052 [1.32] DIA.

<b>KEYSTONE ELECTRONICS CORP.</b>			
ASTORIA, N.Y. 11105-2017			
PART NAME			
5mm PC FUSE HOLDER			
MATERIAL			
AS NOTED			
FINISH		DRN BY	DATE
AS NOTED		BOONE	9.4.97
		APPD	SCALE
		LN	2.5X
TOLERANCES	INCH	[MM]	CODE
DECIMAL	$\pm .010$	[ $\pm 0.25$ ]	C/M
ANGULAR	$\pm 1^\circ$		
UNLESS OTHERWISE SPECIFIED			DWG NO.
			<b>4628</b>

DATE	DESCRIPTION	REV.