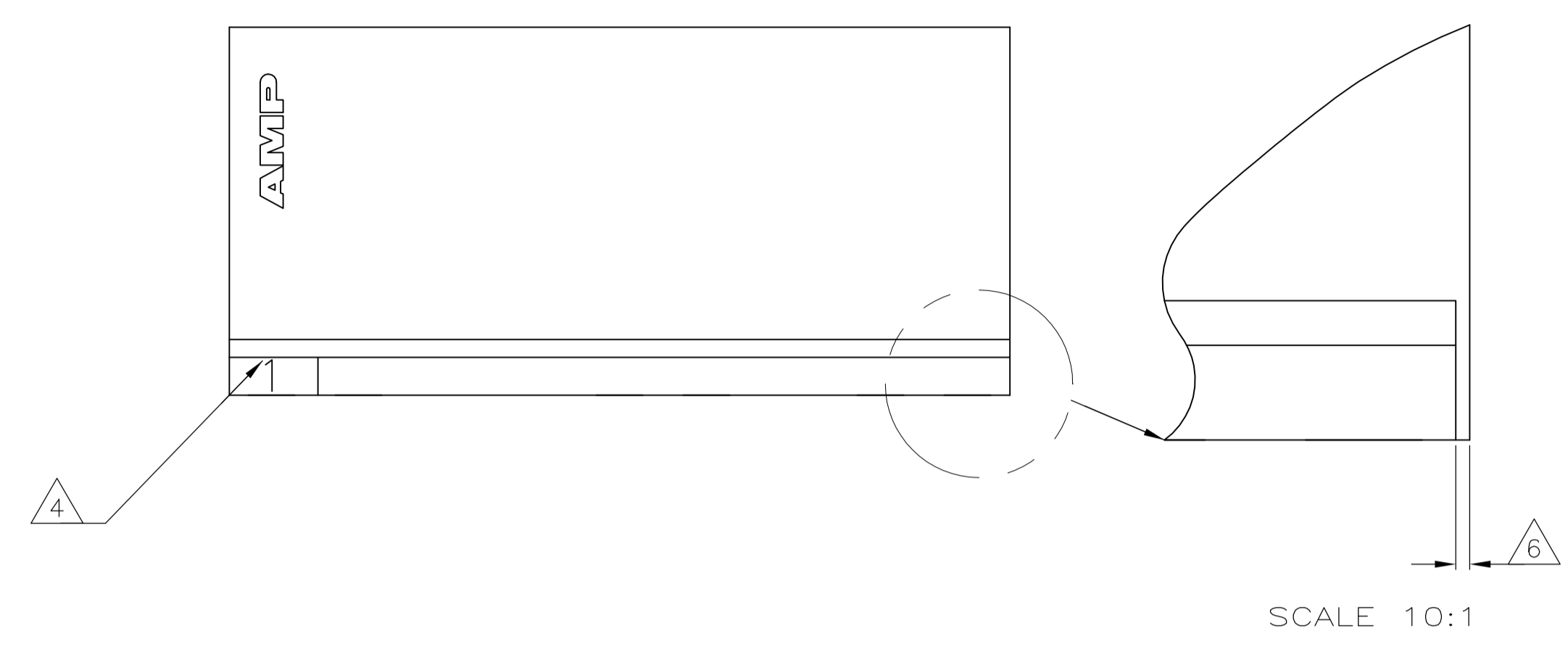
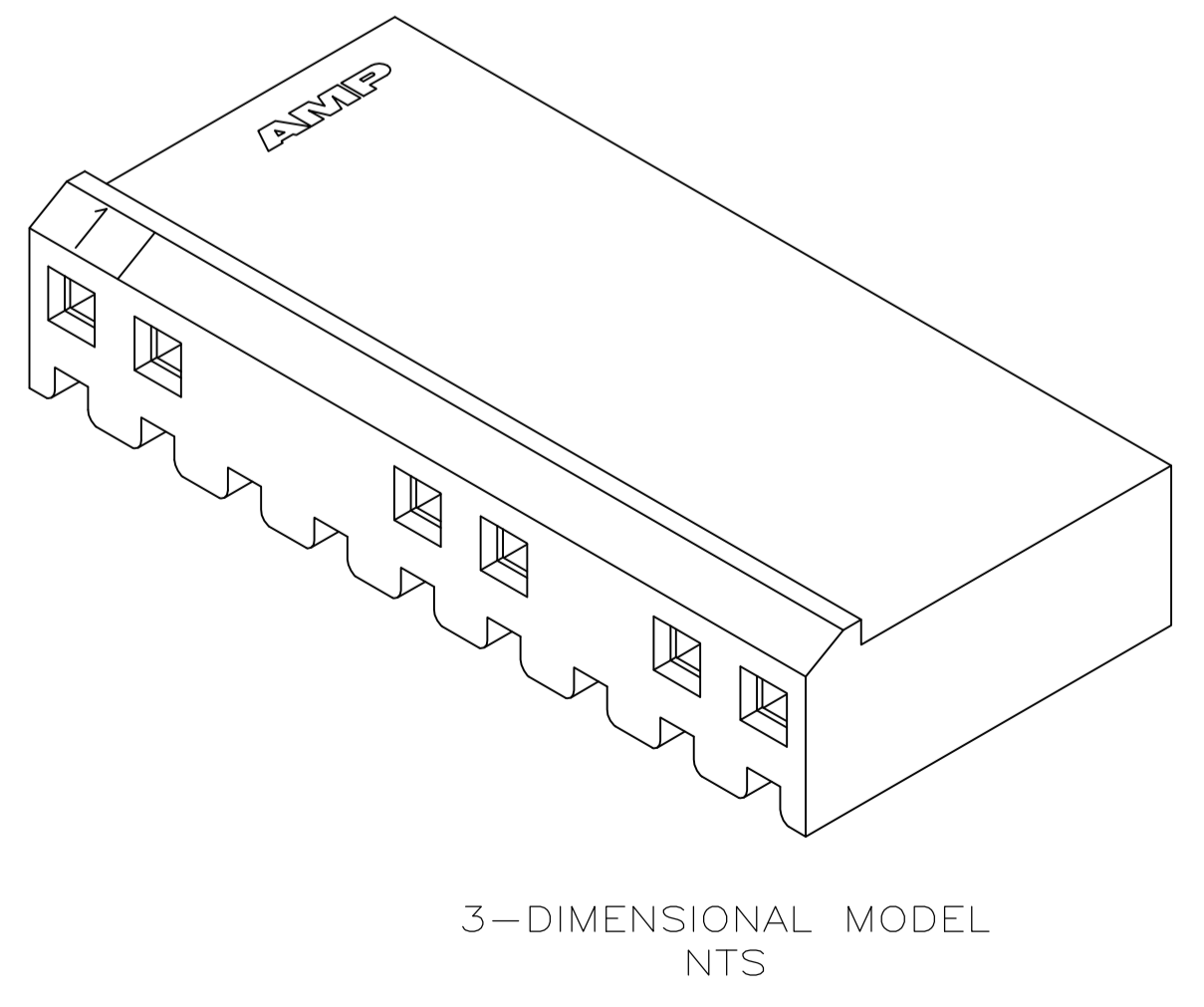
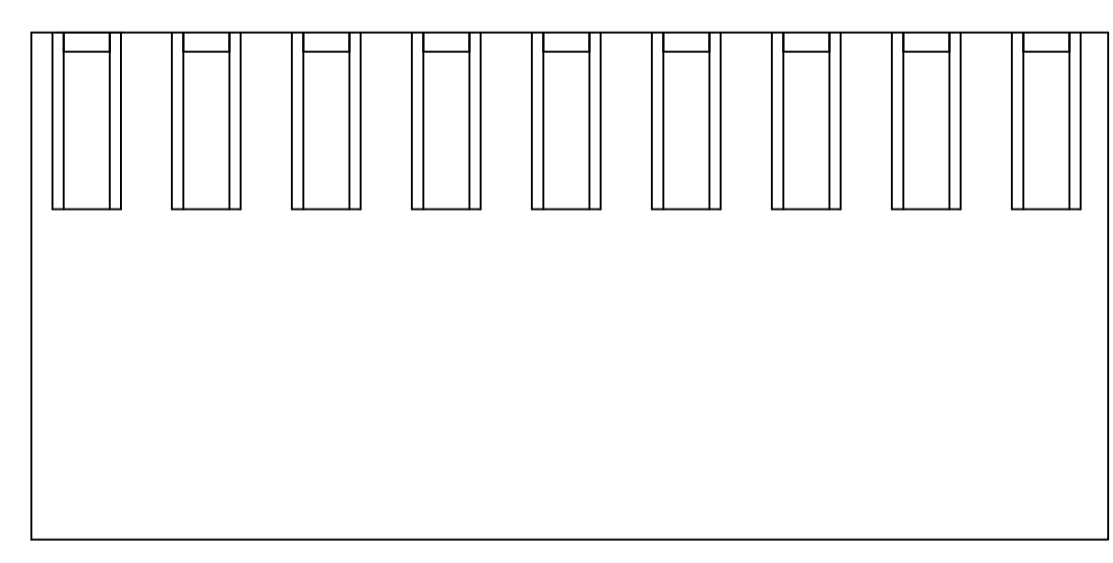
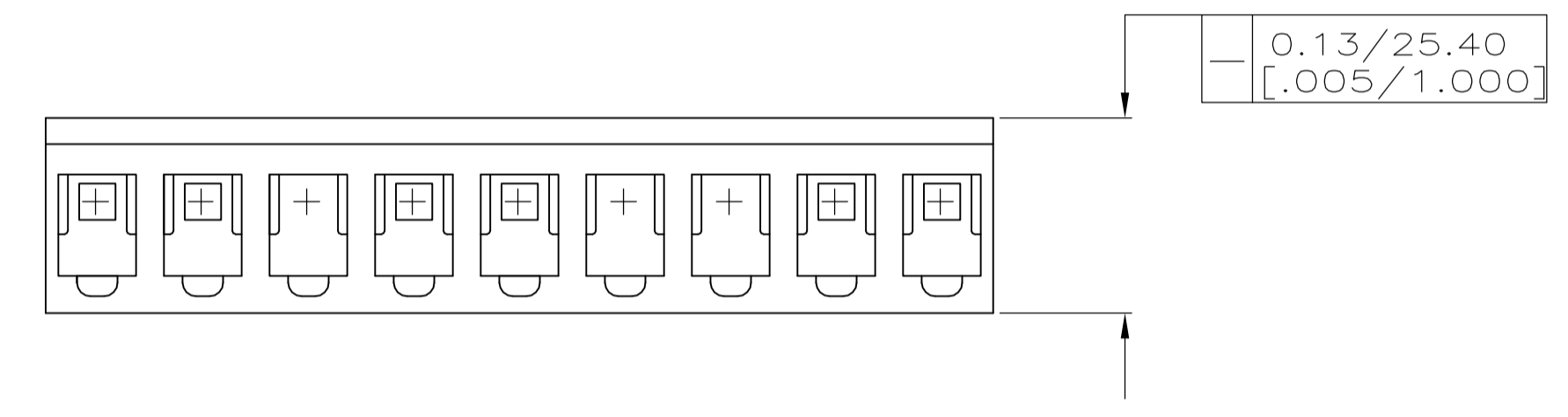
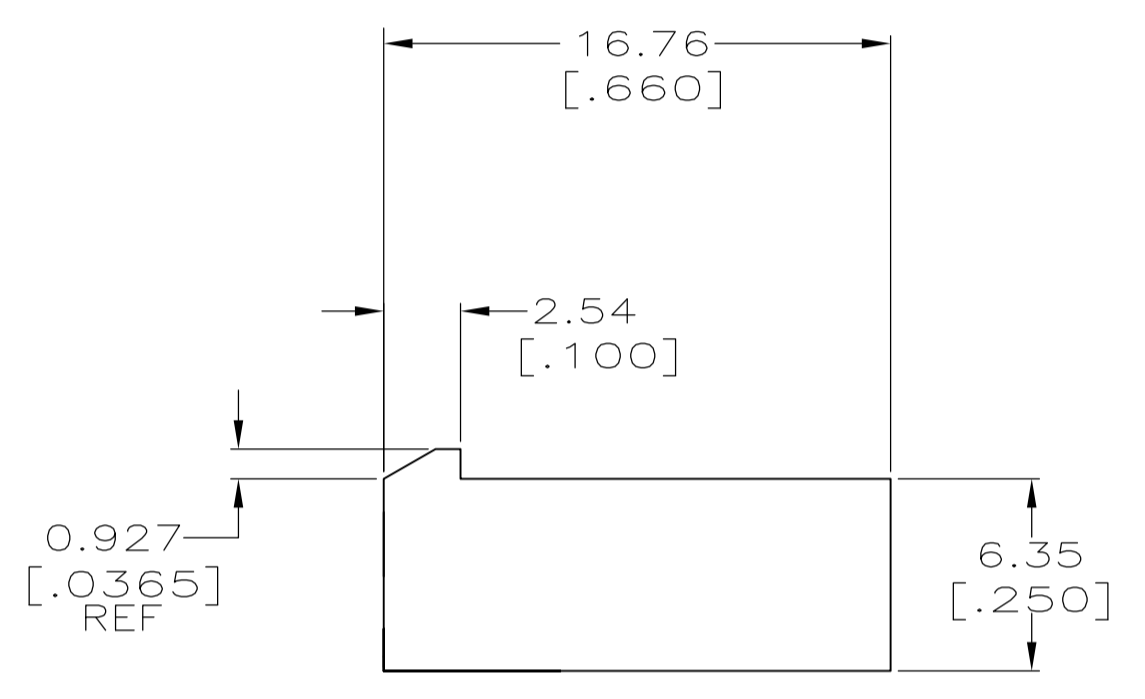
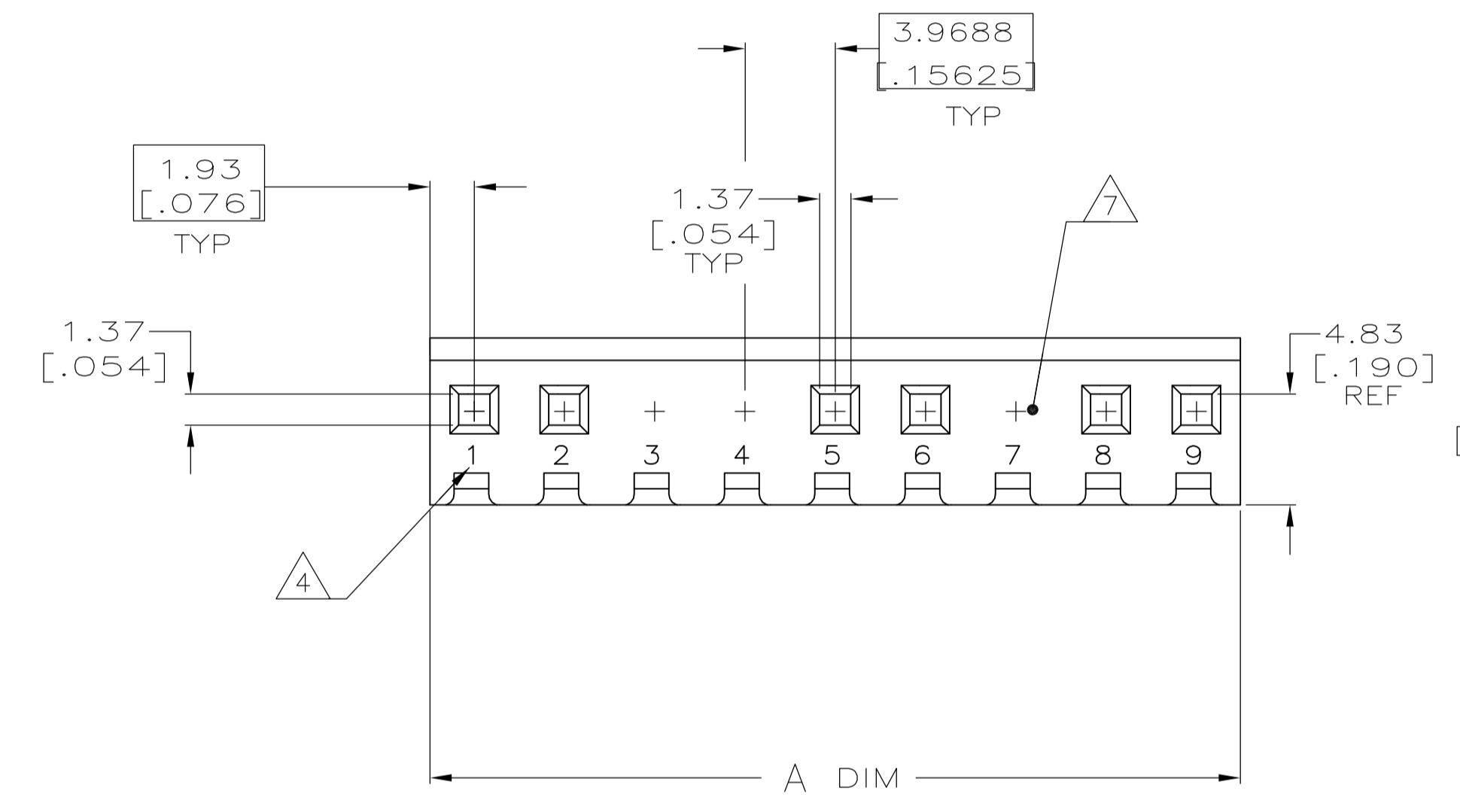


LOC	DIST	REVISIONS			
		REV	DATE	BY	APPD
CM	54	B	06AUG12	KH	SM

- 1 UNIT ACCEPTS 1.14 [.045] SQUARE OR ROUND POST.
- 2 UNIT ACCEPTS STANDARD SL-156 CONTACTS.
- 3 UNIT ACCEPTS KEYING PLUG 640254-1 AND KEYING PIN 640255-1.
- △4 CIRCUIT I.D. NUMBER(S), TO BE LOCATED SEQUENTIALLY AS SHOWN OR ONLY NO.1 CIRCUIT PLACED ON LOCKING RAMP.
- 5 DIMENSIONS IN BRACKETS ARE IN INCHES.
- △6 OPTIONAL CONSTRUCTION (BOTH CORNERS) UP TO 1.27 [.050].
- △7 CIRCUITS 3, 4 & 7 ARE MOLDED CLOSED.



SCALE 10:1



NO. OF CIRCUITS	PART NUMBER
9	770981-9
A #0.25 [.010]	

THIS DRAWING IS A CONTROLLED DOCUMENT.		EBN SALMON 1-19-93 CHK R SWING 1-19-93 APVD E BEILES 2-5-93		<b>STE</b> TE Connectivity	
DIMENSIONS: mm [INCHES]	TOLERANCES UNLESS OTHERWISE SPECIFIED: 0 PLC ± - 1 PLC ± - 2 PLC ± - 3 PLC ± 0.13 [.005] 4 PLC ± - ANGLES ± 0°30'	NAME HOUSING WITH LOCKING RAMP, CIRCUIT NOS. 3, 4 & 7 CLOSED, SL-156	APPLICATION SPEC PRODUCT SPEC	SIZE A1	CAGE CODE 00779
MATERIAL NYLON,UL 94V-0 NATURAL		FINISH -		DRAWING NO. 770981	RESTRICTED TO -
CUSTOMER DRAWING			SCALE 4:1	SHEET 1 OF 1	REV B