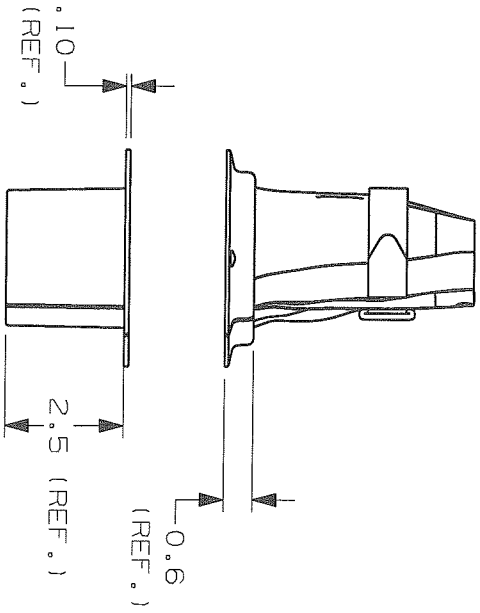
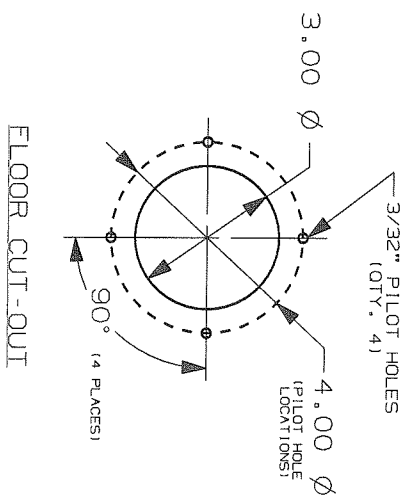
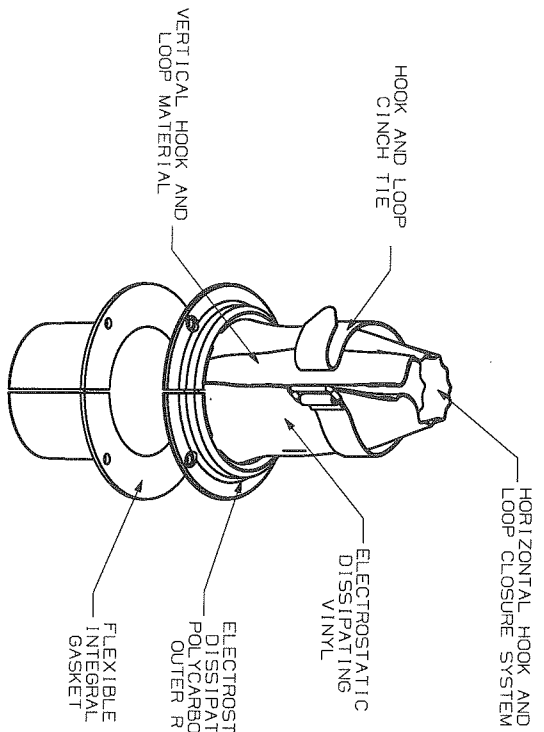
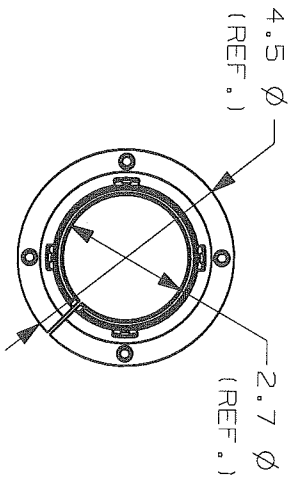


THIS COPY IS PROVIDED ON A RESTRICTED BASIS AND IS NOT TO BE USED IN ANY WAY DETRIMENTAL TO THE INTERESTS OF PANDUIT CORP.



NOTE:
 1) PRODUCT INCLUDES PHILLIPS PANHEAD SELF-DRILL SCREWS, #6 X 5/8", (LOTY 4).

REV	DATE	BY	CHK	DESCRIPTION	ECN	R	CUST	SUP
04B	08/15/08	ARHA		ADDED "Y" PART NUMBER: CHANGED REV. STYLE, FILENAME, AND CUT-OUT DIM'S	GB3405VM	04B		
R	01/18/08	ARHA		INITIAL RELEASE	GB3405VM	R		

DIMENSIONS IN BRACKETS ARE METRIC (mm) CAD FILENAME/LAYERS G03405AH_DC_GB3405VM/04B	
PANDUIT CORP. TINLEY PARK, ILLINOIS	
RF3D(Y) RAISED FLOOR GROMMET	
UNLESS OTHERWISE SPECIFIED, DIMENSIONAL TOLERANCES ARE: (.X) ±0.1 (2.5) (.XXX) ±0.010 (0.25) (.XX) ±0.02 (0.5) ANGLES ±5°	UNLESS OTHERWISE SPECIFIED, ALL DIMENSIONS ARE GIVEN IN INCHES, THIRD ANGLE PROJECTION.
DRAWN BY ARHA DATE 01/18/08 CHK'D KLN	MAT'L: N/A SCALE 1:4 DRAWING NO. GB3405VM DWS A SIZE