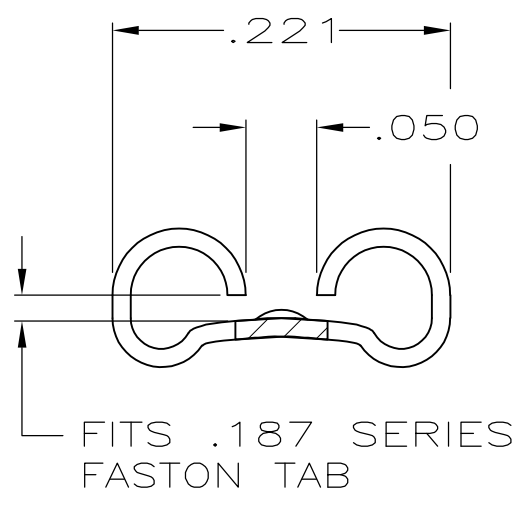
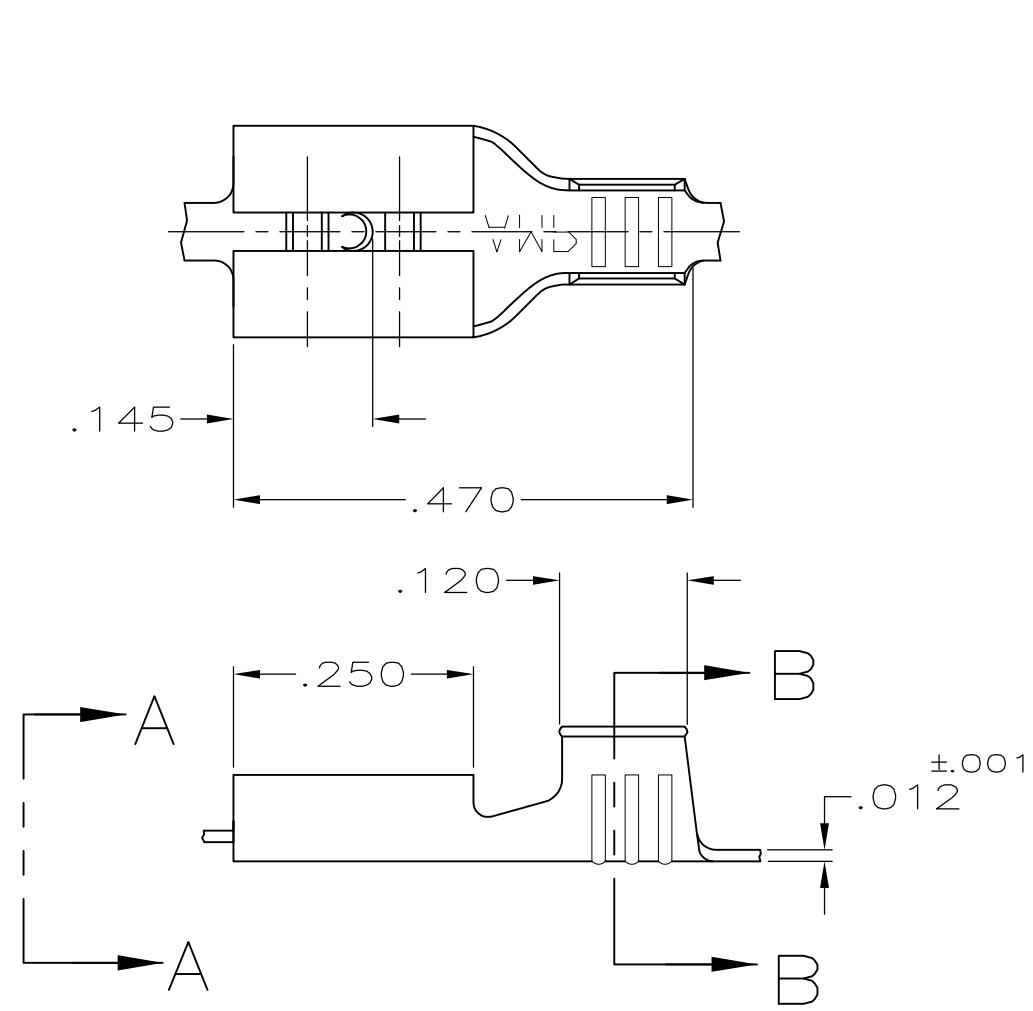


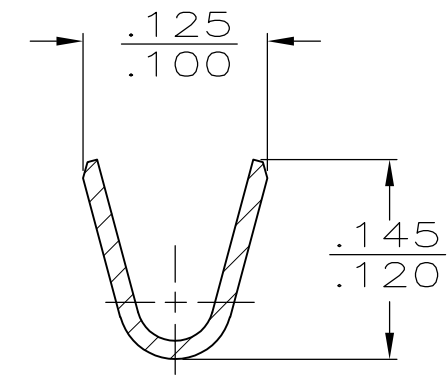
THIS DRAWING IS UNPUBLISHED. RELEASED FOR PUBLICATION
 © COPYRIGHT - By - ALL RIGHTS RESERVED.

LOC	DIST	REVISIONS					
AF	50	P	LTR	DESCRIPTION	DATE	DWN	APVD
		L		REVISED PER ECR-12-013445	18OCT12	KH	PD

1 CONTINUOUS STRIP ON REELS



VIEW A-A
SCALE 8:1



SECTION B-B
SCALE 8:1

	TIN	BRASS	20-16	.015	42374-2
OBSOLETE	-	#4H BRASS	20-16	.015	42374-1
	FINISH	MATERIAL	WIRE SIZE	MATING TAB THK ±.001	PART NO

.188	F	.090	.060	16
			.053	18
			.049	20
STRIP LENGTH ±.015	TYPE	WIDTH	±.002 HEIGHT	WIRE
WIRE BARREL CRIMP				

THIS DRAWING IS A CONTROLLED DOCUMENT.

DIMENSIONS: INCHES

TOLERANCES UNLESS OTHERWISE SPECIFIED:

0 PLC ± -
 1 PLC ± -
 2 PLC ± -
 3 PLC ± .015
 4 PLC ± -
 ANGLES ± -

MATERIAL: SEE TABLE
 FINISH: SEE TABLE

DWN: JR RUTH 7/14/89
 CHK: MS FEHER 7/14/89
 APVD: C MEYERS 7/14/89
 PRODUCT SPEC: -
 APPLICATION SPEC: -
 WEIGHT: -

STE TE Connectivity

RECEPTACLE, FASTON, .187 SERIES™

SIZE	CAGE CODE	DRAWING NO	RESTRICTED TO
A3	00779	C-42374	-

CUSTOMER DRAWING SCALE 5:1 SHEET 1 OF 1 REV L