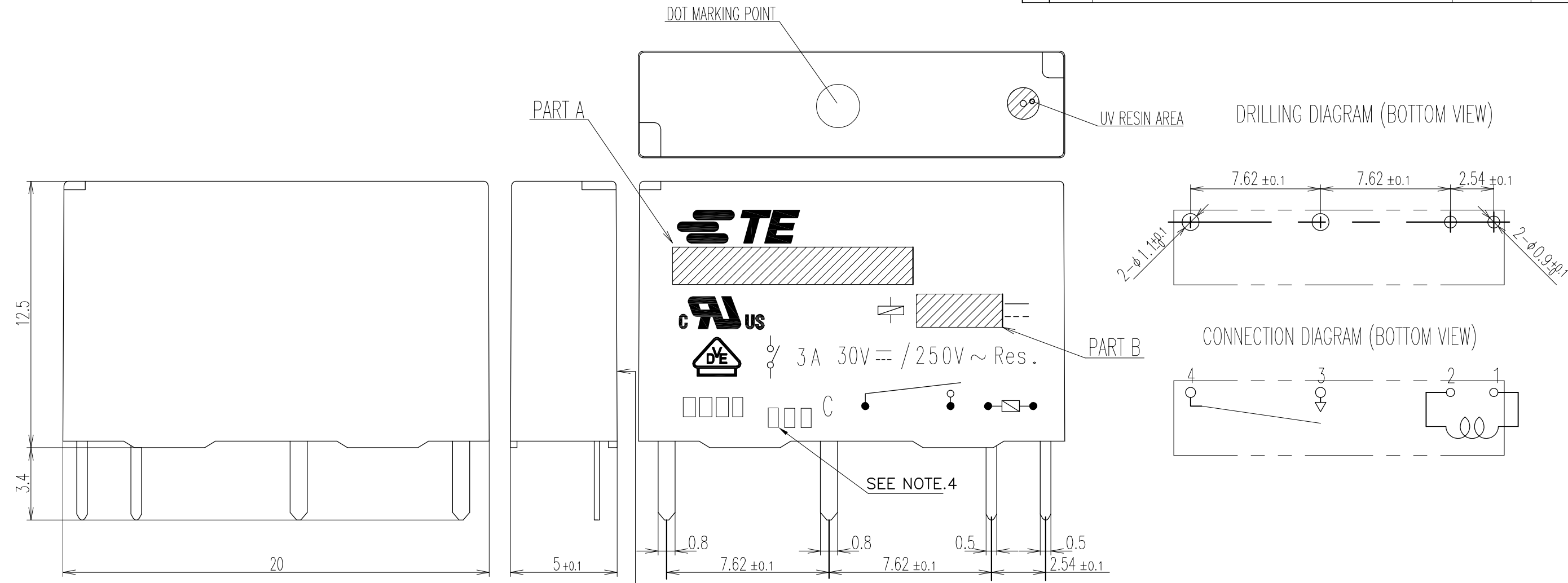

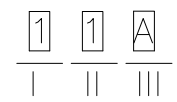


THIS DRAWING IS UNPUBLISHED. RELEASED FOR PUBLICATION
 © COPYRIGHT - By TE CONNECTIVITY ALL RIGHTS RESERVED.

| P | LTR | DESCRIPTION | DATE | DWN | APVD |
|---|-------------|---------------|-----------|-----|------|
| E | REVISE ONLY | ECO-16-018552 | 13-APR-17 | HLC | XN.Z |

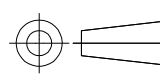


NOTE:
 1. TERMINAL DIMENSION IS AFTER SOLDER DIP
 SOLDER DIP: Sn-3Ag-0.5Cu
 2. LOT NO. SYSTEM AS FOLLOWING;

 WEEKS
 YEAR
 3. MARKING FROM INK CHANGE TO LASER
 4. ADD LOT NO. SYSTEM AS FOLLOWING;


 I, DIGITS FOR DAY OF THE WEEK
 1...MONDAY IN THIS WEEK;
 2...TUESDAY IN THIS WEEK;

 7...SUNDAY IN THIS WEEK
 II, DIGITS FOR SHIFT OF THE DAY
 1...DAY SHIFT IN THIS DAY;
 2...NIGHT SHIFT IN THIS DAY;
 III, ONE CHARACTER DISTINGUISH THE LINE
 IDENTITY, SUCH AS: A,B,.....Z

| Diagram dimension | Tolerance |
|-------------------|-----------|
| 0.99mm max | ±0.1mm |
| 1 - 2.99mm | ±0.2mm |
| 3mm min | ±0.3mm |

| | | | | | |
|--|---|---------------------|--|-----------------------------------|--------------|
| THIS DRAWING IS A CONTROLLED DOCUMENT. | | DWN Y.OKAMOTO | | STE TE Connectivity | |
| DIMENSIONS: mm | | CHK M.MOCHIZUKI | | | |
| TOLERANCES UNLESS OTHERWISE SPECIFIED: | | APVD A.NAGAI | | NAME | |
| 0 PLC ± - |  | PRODUCT SPEC | | PCN-1**D3MHZ,100 CUSTOMER DRAWING | |
| 1 PLC ± - | | APPLICATION SPEC | | SIZE | CAGE CODE |
| 2 PLC ± - | | MATERIAL | | DRAWING NO | |
| 3 PLC ± - | | FINISH | | RESTRICTED TO | |
| 4 PLC ± - | | WEIGHT 0 | | A3 00779 C-1721095 | |
| ANGLES ± - | | RESTRICTED CUSTOMER | | SCALE 5:1 | SHEET 1 OF 2 |
| | | | | REV E | |

THIS DRAWING IS UNPUBLISHED. RELEASED FOR PUBLICATION
 © COPYRIGHT - By TE CONNECTIVITY ALL RIGHTS RESERVED.


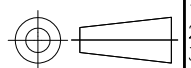
| REVISIONS | | | | | |
|-----------|-----|-------------|------|-----|------|
| P | LTR | DESCRIPTION | DATE | DWN | APVD |
| - | - | SEE SHEET 1 | - | - | - |

| ITEM | DESCRIPTION | Q | A |
|------|---------------------|----|----|
| 15 | UV RESIN | AR | AR |
| 14 | CASE | 1 | 1 |
| 13 | EPOXY | AR | AR |
| 12 | MAGNETIC WIRE | AR | AR |
| 11 | CARD | 1 | 1 |
| 10 | ARMATURE | 1 | 1 |
| 9 | STATIONARY CONTACT | 1 | 1 |
| 8 | STATIONARY TERMINAL | 1 | 1 |
| 7 | MOVABLE CONTACT | 2 | 2 |
| 6 | MOVABLE TERMINAL | 1 | 1 |
| 5 | BASE | 1 | 1 |
| 4 | CORE | 1 | 1 |
| 3 | COIL TERMINAL B | 1 | 1 |
| 2 | COIL TERMINAL A | 1 | 1 |
| 1 | BOBBIN | 1 | 1 |

PARTS LIST

| DESCRIPTION | PART B | PART A | TE PART NO | EC TYPE NAME | PACKING SPECIFICATION | PRODUCT SPEC | DESCRIPTION | No. |
|-------------|--------|--------------|-------------|------------------|-----------------------|--------------|-------------------------------------|-----|
| PRELIMINARY | 24V | PCN-124D3MHZ | 1-1721095-8 | PCN-124D3MHZ,100 | 107-79043 (TRAY) | 108-79629 | REINFORCED INSURATION WASHABLE TYPE | A |
| PRELIMINARY | 23.5V | PCN-123D3MHZ | 1-1721095-7 | PCN-123D3MHZ,100 | 107-79043 (TRAY) | 108-79628 | | |
| | 18V | PCN-118D3MHZ | 1-1721095-6 | PCN-118D3MHZ,100 | 107-79043 (TRAY) | 108-79627 | | |
| | 12V | PCN-112D3MHZ | 1-1721095-5 | PCN-112D3MHZ,100 | 107-79043 (TRAY) | 108-79626 | | |
| | 9V | PCN-109D3MHZ | 1-1721095-4 | PCN-109D3MHZ,100 | 107-79043 (TRAY) | 108-79625 | | |
| PRELIMINARY | 6V | PCN-106D3MHZ | 1-1721095-3 | PCN-106D3MHZ,100 | 107-79043 (TRAY) | 108-79624 | | |
| | 5V | PCN-105D3MHZ | 1-1721095-2 | PCN-105D3MHZ,100 | 107-79043 (TRAY) | 108-79623 | | |
| | 4.5V | PCN-104D3MHZ | 1-1721095-1 | PCN-104D3MHZ,100 | 107-79043 (TRAY) | 108-79622 | | |
| PRELIMINARY | 3V | PCN-103D3MHZ | 1-1721095-0 | PCN-103D3MHZ,100 | 107-79043 (TRAY) | 108-79621 | | |

| DESCRIPTION | PART B | PART A | TE PART NO | EC TYPE NAME | PACKING SPECIFICATION | PRODUCT SPEC | DESCRIPTION | No. |
|-------------|--------|--------------|------------|------------------|-----------------------|--------------|-------------------------------------|-----|
| PRELIMINARY | 24V | PCN-124D3MHZ | 1721095-9 | PCN-124D3MHZ,100 | 107-79039 (TUBE) | 108-79629 | REINFORCED INSURATION WASHABLE TYPE | a |
| PRELIMINARY | 23.5V | PCN-123D3MHZ | 1721095-8 | PCN-123D3MHZ,100 | 107-79039 (TUBE) | 108-79628 | | |
| | 18V | PCN-118D3MHZ | 1721095-7 | PCN-118D3MHZ,100 | 107-79039 (TUBE) | 108-79627 | | |
| | 12V | PCN-112D3MHZ | 1721095-6 | PCN-112D3MHZ,100 | 107-79039 (TUBE) | 108-79626 | | |
| | 9V | PCN-109D3MHZ | 1721095-5 | PCN-109D3MHZ,100 | 107-79039 (TUBE) | 108-79625 | | |
| PRELIMINARY | 6V | PCN-106D3MHZ | 1721095-4 | PCN-106D3MHZ,100 | 107-79039 (TUBE) | 108-79624 | | |
| | 5V | PCN-105D3MHZ | 1721095-3 | PCN-105D3MHZ,100 | 107-79039 (TUBE) | 108-79623 | | |
| | 4.5V | PCN-104D3MHZ | 1721095-2 | PCN-104D3MHZ,100 | 107-79039 (TUBE) | 108-79622 | | |
| PRELIMINARY | 3V | PCN-103D3MHZ | 1721095-1 | PCN-103D3MHZ,100 | 107-79039 (TUBE) | 108-79621 | | |

| | | | | | |
|---|--|-----------------------|---|-------------------------|--------------------|
| THIS DRAWING IS A CONTROLLED DOCUMENT. | | DWN Y.OKAMOTO |  TE Connectivity | | |
| DIMENSIONS: mm | | CHK M.MOCHIZUKI | | | |
|  | | APVD A.NAGAI | NAME PCN-1**D3MHZ,100 CUSTOMER DRAWING | | |
| TOLERANCES UNLESS OTHERWISE SPECIFIED: | | PRODUCT SPEC - | SIZE A3 | | |
| 0 PLC ± - | | APPLICATION SPEC - | CAGE CODE 00779 | DRAWING NO C-1721095 | RESTRICTED TO - |
| 1 PLC ± - | | WEIGHT 0 | SCALE 5:1 | | |
| 2 PLC ± - | | RESTRICTED CUSTOMER | | | |
| 3 PLC ± - | | SHEET 2 of 2 | | | REV E |
| 4 PLC ± - | | | | | |
| ANGLES ± - | | | | | |
| FINISH - | | | | | |