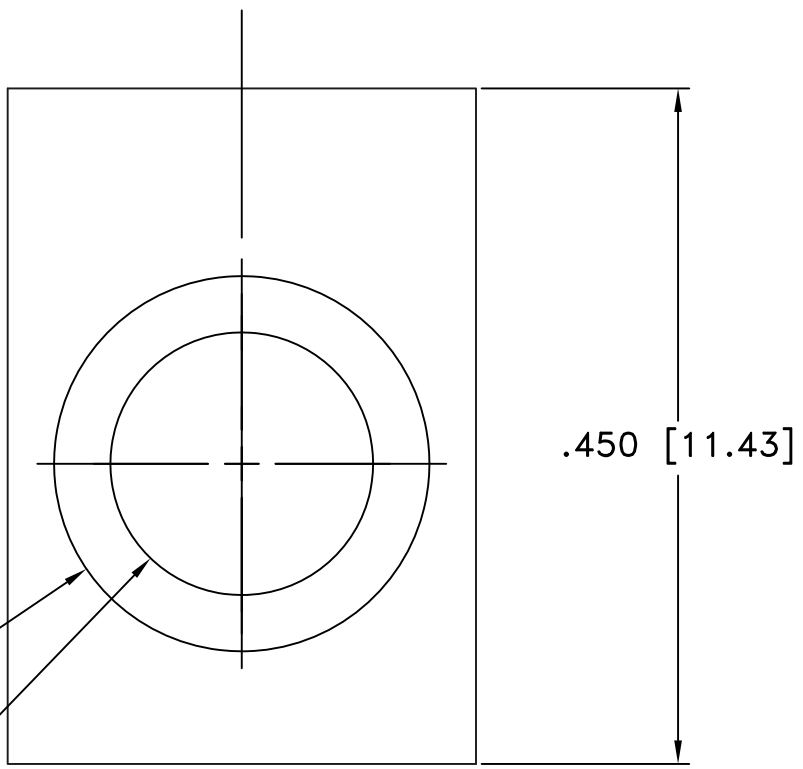
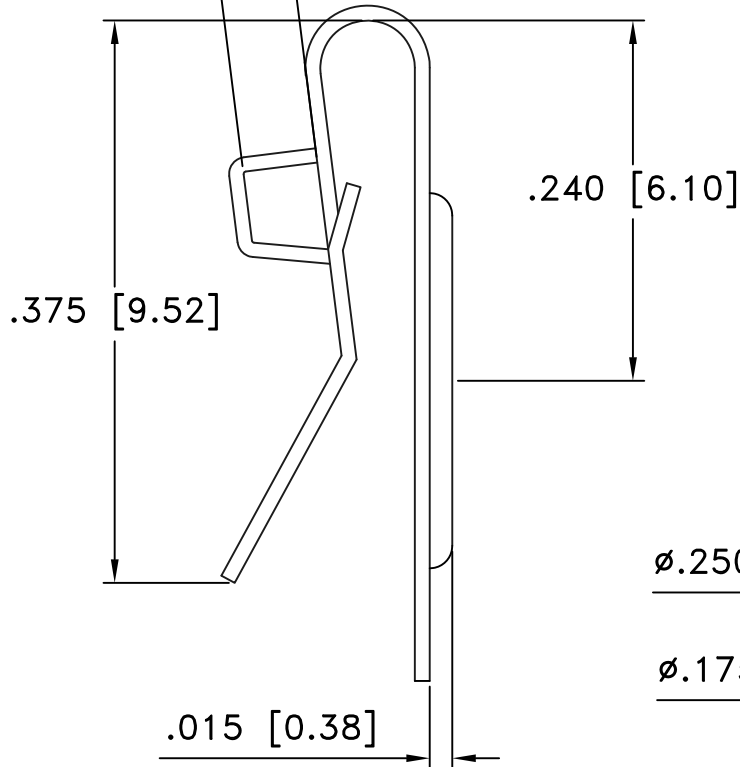



Date	SYM	REVISION RECORD	AUTH	DR.	CK.
03/23/12	A	REDRAWN ADDED ROHS COMPLIANT	T.B.	B.S.	

.062(1.57)



MATERIAL:
0.010" SPRING TEMPER STAINLESS STEEL, NICKEL
PLATED
ROHS COMPLIANT

Tolerance (Except as noted)	 Memory protection Devices, Inc 200 Broad Hollow Road, Farmingdale, New York 11735		
decimal $\pm .020$ (.5)		Scale XX	Drawn By T.S. Approved By T.B.
Fractional $\pm .030$ (.8)	Title BATTERY CONTACT, POSITIVE, AA		
Angular $\pm 3^\circ$	Date 03/23/12	Drawing Number BK-228	