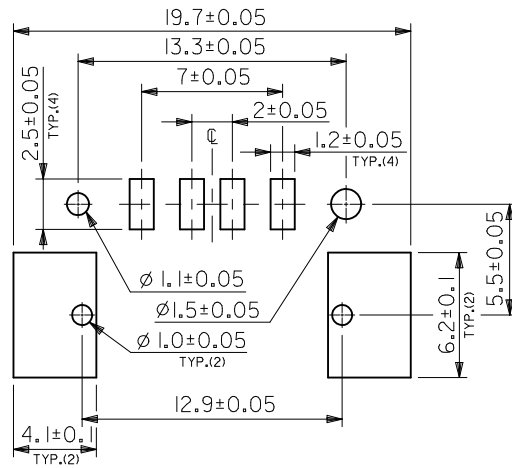
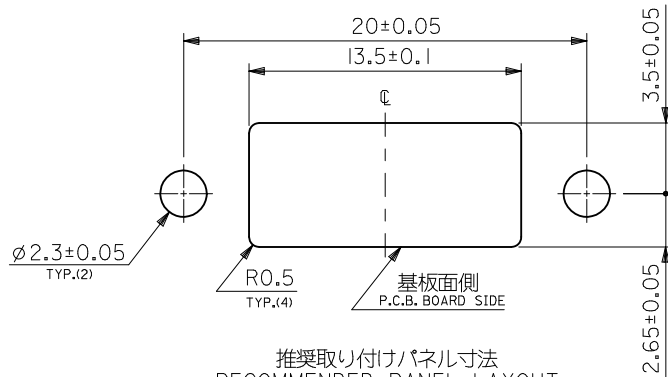


MODEL NO. 54366-***19

REVISED EC NO: J2011-0208 DRWN: TENAGASE 2010/08/06 CHKD: CHIKANO 2010/08/06 APPR: MYAGI 2010/09/03	GENERAL TOLERANCES (UNLESS SPECIFIED)		DIMENSION STYLE MM ONLY		SCALE ---	DESIGN UNITS METRIC	THIRD ANGLE PROJECTION		
	10 UNDER	±0.2	DRAWN BY DATE	TITLE USB I/O CONN. (SIDE FLANGE REVERSE SMT TYPE) -LEAD FREE-					
	10 OVER 30 UNDER	±0.25	CHECKED BY MSASAO	DATE 2004/03/24	MOLEX INCORPORATED				
	30 OVER	±0.3	APPROVED BY DATE		MATERIAL NO. 54366-0419	DOCUMENT NO. SD-54366-007	SHEET NO. 1 OF 2		
A	ANGULAR ±3 ° DRAFT WHERE APPLICABLE MUST REMAIN WITHIN DIMENSIONS		THIS DRAWING CONTAINS INFORMATION THAT IS PROPRIETARY TO MOLEX INCORPORATED AND SHOULD NOT BE USED WITHOUT WRITTEN PERMISSION						



推奨基板寸法
RECOMMENDED PCB LAYOUT



推奨取り付けパネル寸法
RECOMMENDED PANEL LAYOUT

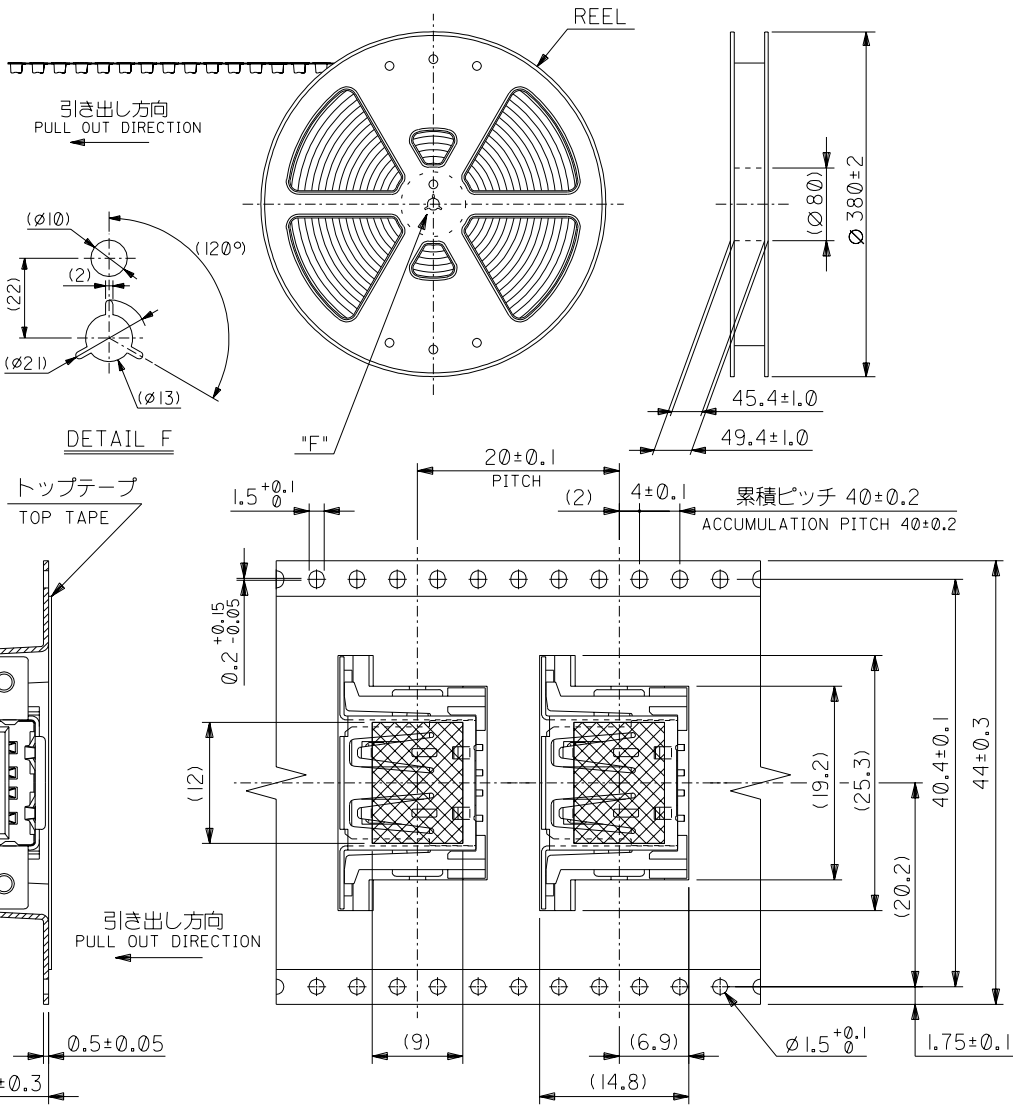
注記
NOTES:

1. 材質
MATERIAL
ハウジング : PA(ホリアミド) 、ガラス充填
白色、UL94V-0
HOUSING : PA (POLYNONAMETHYLENE TEREPHTHALAMIDE)
,GLASS FILLED,WHITE,UL94V-0
ターミナル : 燐青銅 (t=0.3)
TERMINAL : PHOSPHOR BRONZE(t=0.3)
シェル : 黄銅 (t=0.4)
SHELL : BRASS(t=0.4)
2. メッキ仕様
PLATING
ターミナル
TERMINAL
接点部 : 金メッキ 最小0.75マイクロメートル
CONTACT AREA:GOLD 0.75 MICROMETER MINIMUM
半田付け部 : 錫メッキ 最小1.0マイクロメートル
SOLDER TAIL AREA:TIN 1.0 MICROMETER MINIMUM
下地メッキ : ニッケルメッキ 最小1.25マイクロメートル
UNDER PLATING:NICKEL 1.25 MICROMETER MINIMUM
シェル : 錫メッキ 最小1.0マイクロメートル
SHELL:TIN 1.0 MICROMETER MINIMUM
下地メッキ : ニッケルメッキ 最小2.0マイクロメートル
UNDER PLATING:NICKEL 2.0 MICROMETER MINIMUM
3. テール平坦度は、最大0.1ミリメートル
TAIL COPLANARITY TO BE 0.1MAXIMUM
4. 本製品は54366-***12の鉛フリー品である。
THIS PRODUCT IS LEAD FREE OF 54366-***12.

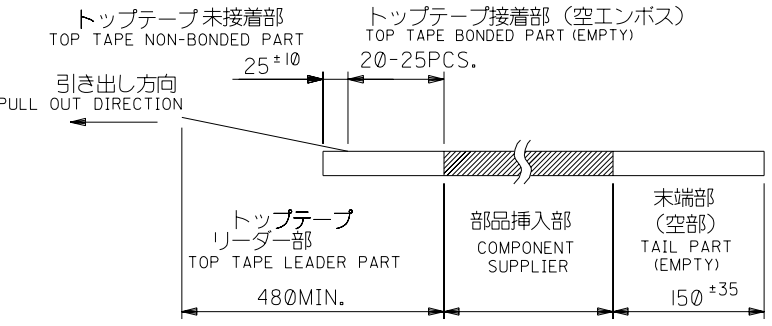
MODEL NO. 54366-***19

REVISED EC NO: J2011-0208 DRWN: TENAGASE 2010/08/06 CHKD: CHIKANO 2010/08/06 APPR: MYAGI 2010/09/03	GENERAL TOLERANCES (UNLESS SPECIFIED)		DIMENSION STYLE MM ONLY	SCALE ---	DESIGN UNITS METRIC	THIRD ANGLE PROJECTION	
	10 UNDER	±0.2	DRAWN BY DATE	TITLE USB I/O CONN. (SIDE FLANGE REVERSE SMT TYPE) -LEAD FREE-			
	10 OVER 30 UNDER	±0.25	CHECKED BY MSASAO	DATE 2004/03/24	MOLEX INCORPORATED		
	30 OVER	±0.3	APPROVED BY	DATE	MATERIAL NO. 54366-0419	DOCUMENT NO. SD-54366-007	SHEET NO. 2 OF 2
A	ANGULAR ±3 ° DRAFT WHERE APPLICABLE MUST REMAIN WITHIN DIMENSIONS		SIZE A3	THIS DRAWING CONTAINS INFORMATION THAT IS PROPRIETARY TO MOLEX INCORPORATED AND SHOULD NOT BE USED WITHOUT WRITTEN PERMISSION			

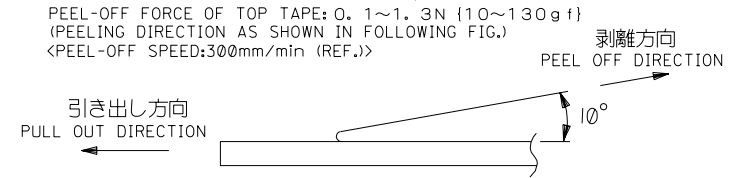
DWG. NO. SD-54366-008



- 注記
NOTES:
- 製品詳細寸法については SD-54366-007 を参照下さい。
RE DETAILED DIMENSION SEE SD-54366-007
 - 梱包数量: 350 個/リール
NUMBER OF CONNECTORS: 350 PCS/REEL
 - リードテープ長さ
LEAD TAPE LENGTH



- トップテープの剥離強度: 0.1~1.3N {10~130gf}
(剥離方向は下図参照)
剥離速度: 300mm/min (参考)



- 材料
MATERIAL
キャリアテープ: ポリプロピレン
CARRIER TAPE: POLYPROPYLENE
トップテープ: ポリエステル, ポリエチレン
TOP TAPE: POLYESTER, POLYETHYLENE
リール: ポリスチレン (PS) <リサイクル材を含む>
REEL: POLYSTYRENE(PS) <RECYCLE MATERIAL CONTAINED>
- 本製品は54366-**-18の鉛フリー品である。
THIS PRODUCT IS LEAD FREE OF 54366-**-18.

44	54366-0419	54366-0478	4
テープ幅 TAPE WIDTH	装着コネクタ CONNECTOR	製品番号 MATERIAL NO.	極数 CIRCUITS

DO NOT SCALE DRAWING

EC NO. DRWN: CHK: APPR:	EC NO. DRWN: CHK: APPR:	EC NO. DRWN: CHK: APPR:	EC NO. DRWN: CHK: APPR:	EC NO. DRWN: CHK: APPR:	REV	MATERIAL 材料	GENERAL TOLERANCES: (UNLESS SPECIFIED) 一般公差	SCALE	DESIGN UNITS	MODEL NO.	THIRD ANGLE PROJECTION	DIMENSIONS: <input type="checkbox"/> mm <input type="checkbox"/> INCH <input checked="" type="checkbox"/> mm ONLY	SHT REV
					0	FINISH 仕上げ	10 UNDER 未満 ±0.2	—	<input checked="" type="checkbox"/> mm <input type="checkbox"/> INCH	54366-**-78	<input type="checkbox"/> mm <input type="checkbox"/> INCH <input checked="" type="checkbox"/> mm ONLY	1	
						WIRE RANGE 適用電線範囲	10 OVER 30 UNDER 以上 未満 ±0.25	—		TITLE: EMBOSSD TAPE PACKAGE FOR 54366-0419 -LEAD FREE-		1 OF 1	
						INS. RANGE 被覆外径	30 OVER 以上 ±0.3	—		MOLEX MOLEX INCORPORATED			
							ANGLE 角度	±3°		MATERIAL NO. 54366-0478	DRAWING NO. SD-54366-008	SHEET NO. 1 OF 1	

DRAWN BY & DATE Y.WADA '04/03/24	TITLE: EMBOSSD TAPE PACKAGE FOR 54366-0419 -LEAD FREE-
CHECKED BY & DATE M.SASAO '04/03/24	
APPROVED BY & DATE M.SASAO '04/03/24	
CAD FILENAME SD-54366-008.S01	MATERIAL NO. 54366-0478
THIS DRAWING CONTAINS INFORMATION THAT IS PROPRIETARY TO MOLEX INCORPORATED AND SHOULD NOT BE USED WITHOUT WRITTEN PERMISSION.	
SIZE B	