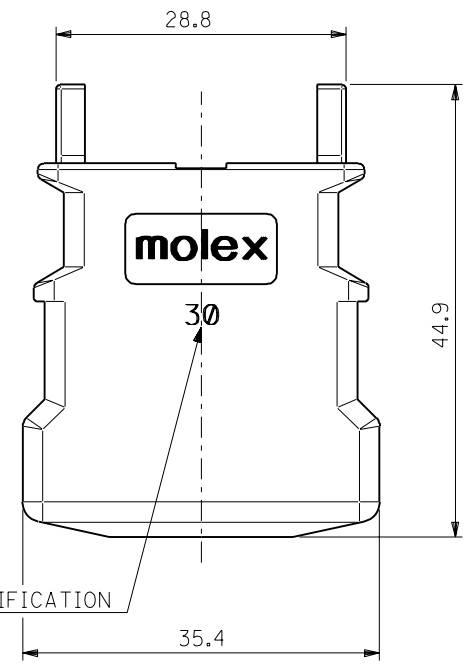
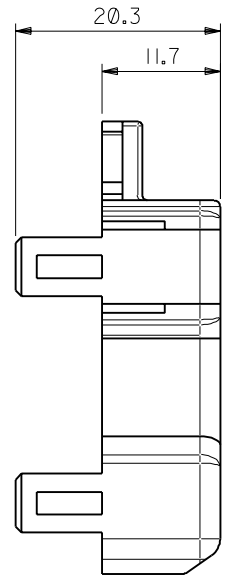
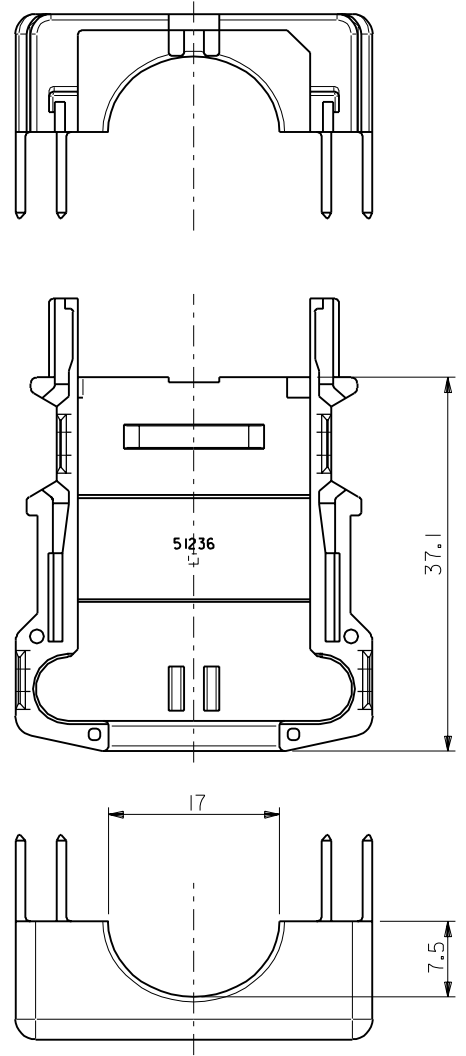


DWG. NO.
SD-51236-006



注記
NOTES

1. 材質
MATERIAL
ガラス入りポリカーボネイト樹脂 UL94V-0 色: グレー
POLYCARBONATE G.F. UL94V-0 COLOR: GRAY
2. 適用プラグモールドカバー A : 51235-3015
APPLICABLE PLUG MOLD COVER A : 51235-3015

51236-3005	51236-***05
MATERIAL.NO	MODEL.NO
DIMENSIONS:	
<input type="checkbox"/> mm	<input type="checkbox"/> INCH
<input type="checkbox"/> mm	<input checked="" type="checkbox"/> mm ONLY
SHT	REV
REVISE ON	CAD ONLY

DO NOT SCALE DRAWING

EC NO. DRWN: CHK: APPR:	EC NO. DRWN: CHK: APPR:	EC NO. DRWN: CHK: APPR:	REVISED 01/10/24 EC NO. J2002-0999 DRWN: K.SAKAMOTO CHK: J.MIYAZAWA APPR: Y.O.ITO	RELEASED 01/02/16 EC NO. JD2001-1040 DRWN: S.AKIYAMA CHK: J.MIYAZAWA APPR: H.IKESUGI	DESCRIPTION
			A	Ø	注記参照 SEE NOTES
					FINISH 仕上げ
					WIRE RANGE 適用電線範囲
					INS. RANGE 被覆外径

MATERIAL 材料	注記参照 SEE NOTES
FINISH 仕上げ	—
WIRE RANGE 適用電線範囲	—
INS. RANGE 被覆外径	—

GENERAL TOLERANCES: (UNLESS SPECIFIED) 一般公差	SCALE 2-1	DESIGN UNITS <input checked="" type="checkbox"/> mm <input type="checkbox"/> INCH	THIRD ANGLE PROJECTION <input checked="" type="checkbox"/> THIRD ANGLE <input type="checkbox"/> FIRST ANGLE
10 UNDER 未満	±0.2	DRAWN BY & DATE S. Akiyama 01/01/25	TITLE:
10 OVER 30 UNDER 以上 未満	±0.25	CHECKED BY & DATE J. Miyazawa / Y. Ito	COMPACT ROBOT CONN. (CRC) PLUG MOLD COVER B
30 OVER 以上	±0.3	APPROVED BY & DATE H. Ikesugi	molex MOLEX INCORPORATED
ANGLE 角度	±3°	CAD FILE NAME 51236006.S01	MATERIAL NO. SEE CHART

DRAWING NO. SD-51236-006	SHEET NO. 1 OF 1
THIS DRAWING CONTAINS INFORMATION THAT IS PROPRIETARY TO MOLEX INCORPORATED AND SHOULD NOT BE USED WITHOUT WRITTEN PERMISSION.	
SIZE B	EN-02J(097) MXJ-54