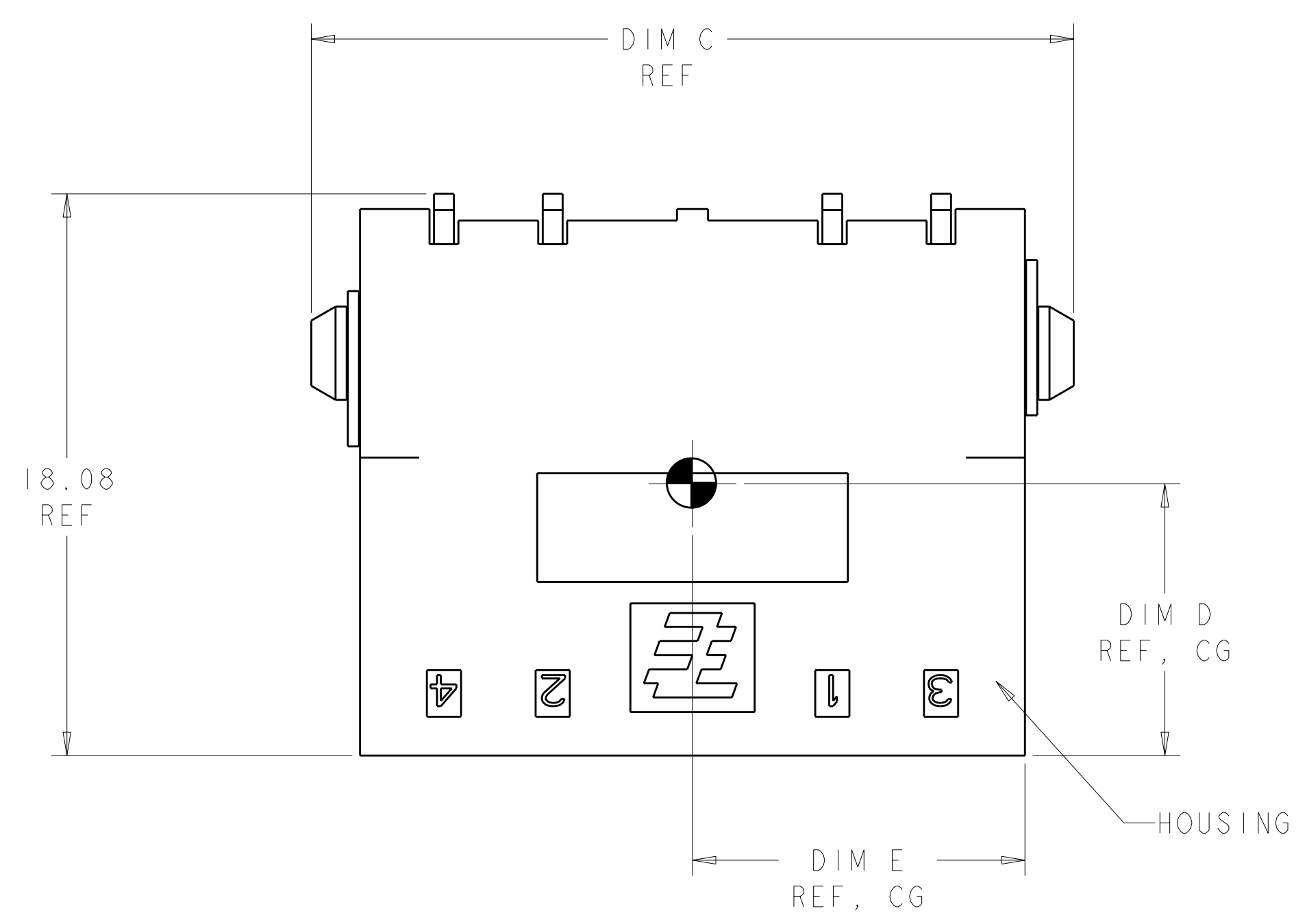
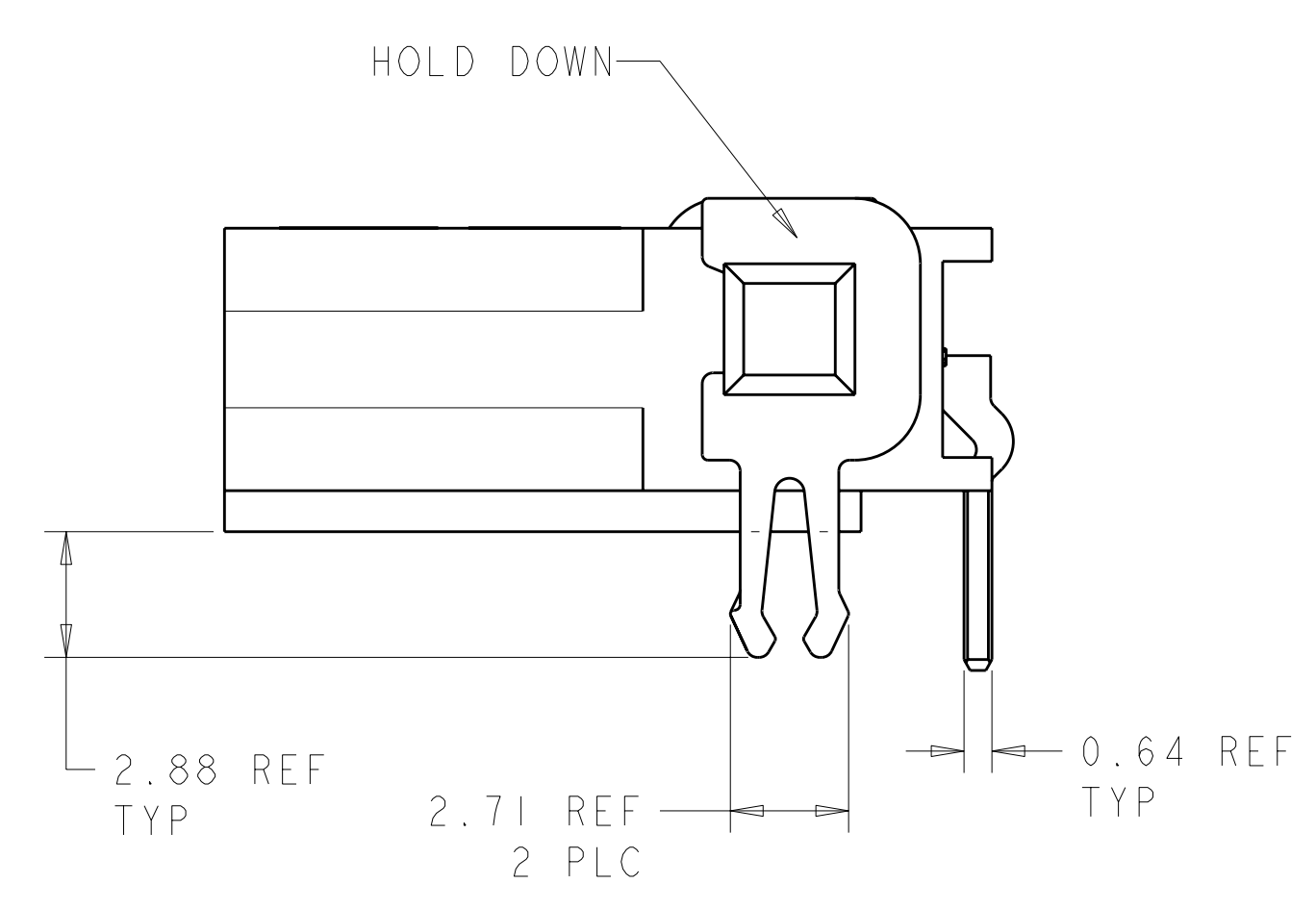
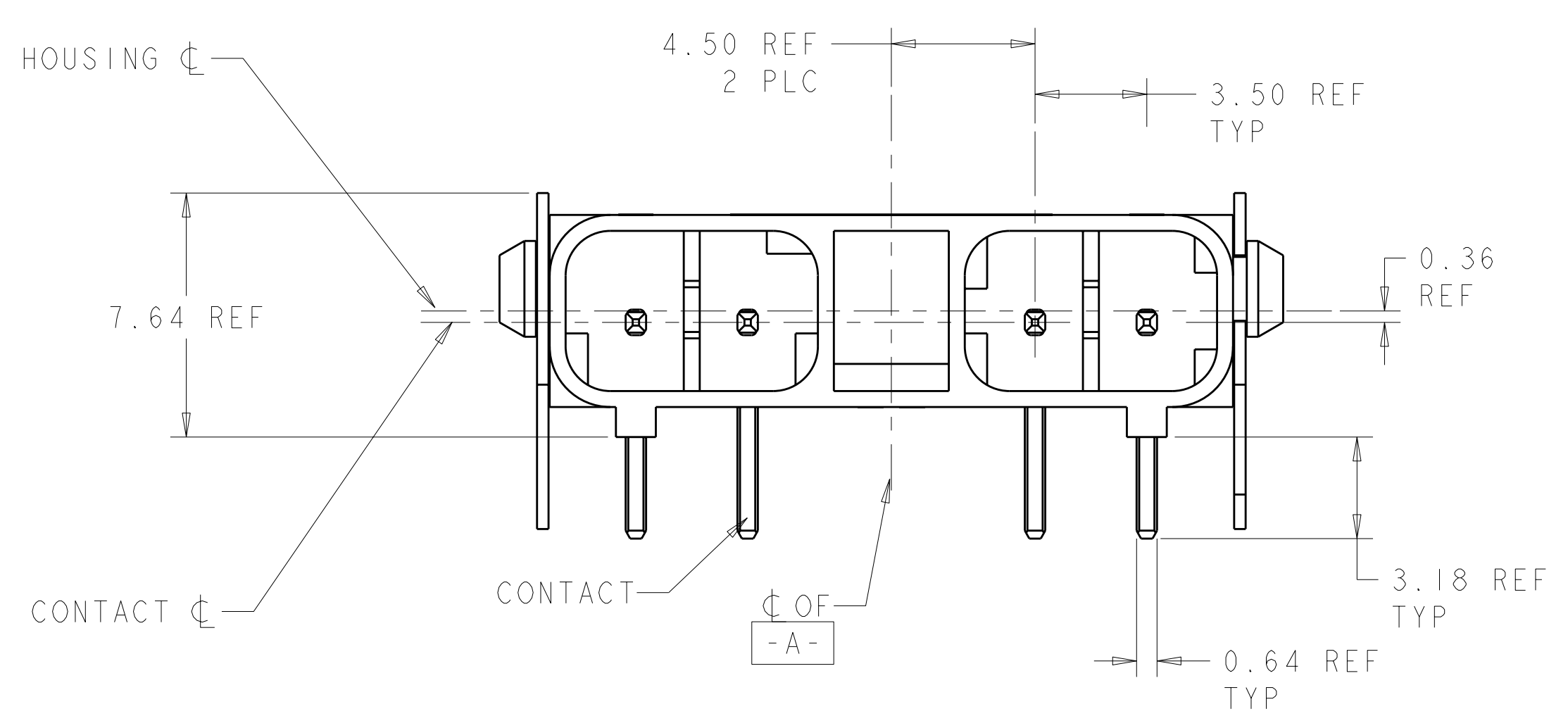


LOC	DIST	REVISIONS			
		REV	DATE	BY	APPD
CM	00	A	07JUL2010	HMR	DD



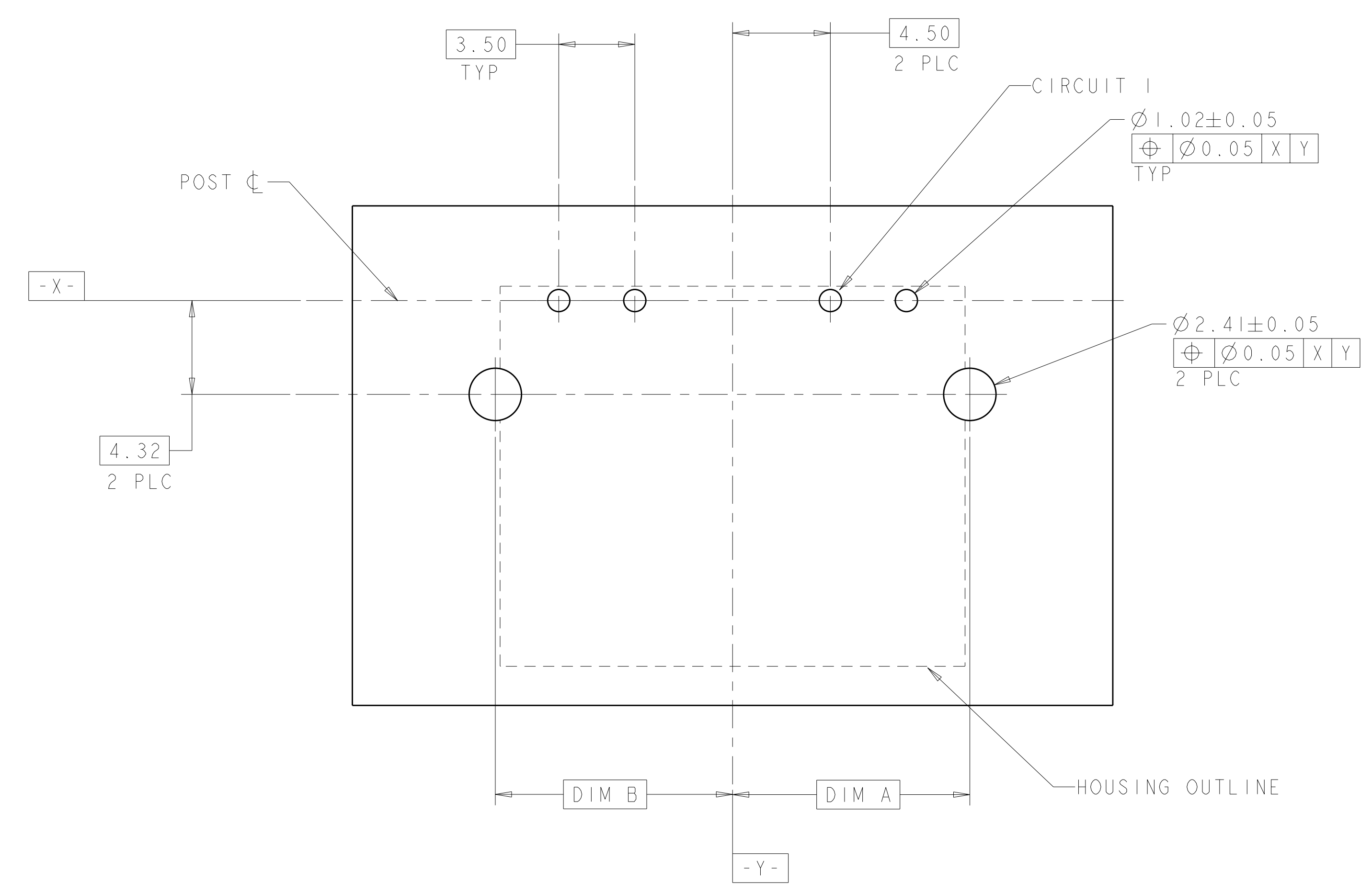
- 1 MATERIAL: HOUSING: LCP, COLOR: BLACK.
- 2 CONTACTS: BRASS.
FINISH: 2.54µm MIN MATTE TIN OVER NICKEL (ENTIRE POST).
- 3 HOLDDOWN: COPPER ALLOY.
FINISH: 2.54µm MIN MATTE TIN OVER NICKEL .
- 4. THIS PRODUCT HAS NOT COMPLETED VALIDATION TESTING.
- 5 RECOMMENDED PC BOARD THICKNESS OF 1.57.
- 6. PACKAGED IN TUBES.
- 7. MUST COMPLY WITH DIRECTIVE 2002/95/EC (ROHS).



10.69	10.89	24.54	10.92	10.92	4	2106111-6
8.92	10.75	21.04	7.42	10.92	3	2106111-4
7.19	10.57	17.54	7.42	7.42	2	2106111-2
DIM E	DIM D	DIM C	DIM B	DIM A	POSN	PART NUMBER

<small>THIS DRAWING IS UNPUBLISHED. RELEASED FOR PUBLICATION 20</small> <small>© COPYRIGHT 20 BY TYCO ELECTRONICS CORPORATION, ALL RIGHTS RESERVED.</small>		DWN: MM VAN SCIO 20FEB2009 CHK: A. BUCHER 20FEB2009 APVD: A. BUCHER 20FEB2009	Tyco Electronics Harrisburg, PA 17105-3608
DIMENSIONS: mm 9 PLC ± 1 PLC ±0.13 5 PLC ±0.013 4 PLC ± ANGLES ±2°	TOLERANCES UNLESS OTHERWISE SPECIFIED: 9 PLC ± 1 PLC ±0.13 5 PLC ±0.013 4 PLC ± ANGLES ±2°	NAME: ASSEMBLY, RIGHT ANGLE THRU-HOLE HEADER, SLIMSEAL SSL CONNECTOR PRODUCT SPEC: 108-2391 APPLICATION SPEC: 114-13261 WEIGHT: -	SIZE: A CAGE CODE: 00779 DRAWING NO: C=2106111 RESTRICTED TO: -
MATERIAL:		FINISH:	
CUSTOMER DRAWING		SCALE: 4:1	SHEET: 1 OF 2 REV: A

LOC	DIST	REVISIONS			
		REV	DATE	BY	APPD
CM	00	-	-	-	-
		SEE SHEET 1			



RECOMMENDED PC BOARD HOLE LAYOUT, COMPONENT SIDE $\triangle 5$
 DIMENSIONS APPLY TO ALL POSITIONS, UNLESS OTHERWISE NOTED

<small>THIS DRAWING IS UNPUBLISHED. RELEASED FOR PUBLICATION BY TYCO ELECTRONICS CORPORATION. IT IS SUBJECT TO CHANGE WITHOUT NOTICE. DIMENSIONS AND TOLERANCES SHOWN ARE THE MANUFACTURER'S DIMENSIONS AND TOLERANCES. DIMENSIONS ARE IN MILLIMETERS UNLESS OTHERWISE SPECIFIED.</small>		DWN: MM.VAN SCIO 20FEB2009 CHK: A.BUCHER 20FEB2009 APVD: A.BUCHER 20FEB2009	Tyco Electronics Harrisburg, PA 17105-3608
DIMENSIONS: mm 	TOLERANCES UNLESS OTHERWISE SPECIFIED: 0 PLC ± 1 PLC ± 2 PLC ±0.13 3 PLC ±0.013 4 PLC ± ANGLES ±2°	NAME: ASSEMBLY, RIGHT ANGLE THRU-HOLE HEADER, SLIMSEAL SSL CONNECTOR PRODUCT SPEC: 108-2391 APPLICATION SPEC: SIZE: 114-13261 WEIGHT:	RESTRICTED TO: A 00779 C=2106111 SCALE: 4:1 SHEET 2 OF 2 REV A
MATERIAL:	FINISH:	CUSTOMER DRAWING	