

60mm sq.

San Ace 60



General Specifications

- Material Frame: Aluminum,
Impeller:Plastics (Flammability: UL94V-1)
- Expected Life Refer to specifications (L10: Survival rate: 90% at 60°C ,
rated voltage, and continuously run in a free air state)
- Dielectric Strength 50/60Hz 1,500VAC 1minute (between lead conductor and frame)
- Lead Wire Black, 2pcs
- Storage Temperature -30°C to +70°C (Non-condensing)
- Operating Voltage Range Voltage of each model ± 10%

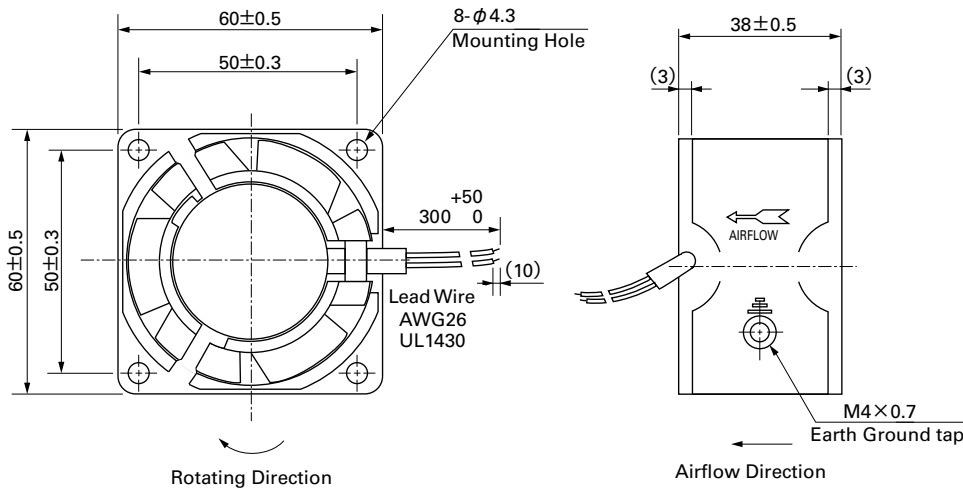
60×60×38mm [Mass : 170g]

Specifications

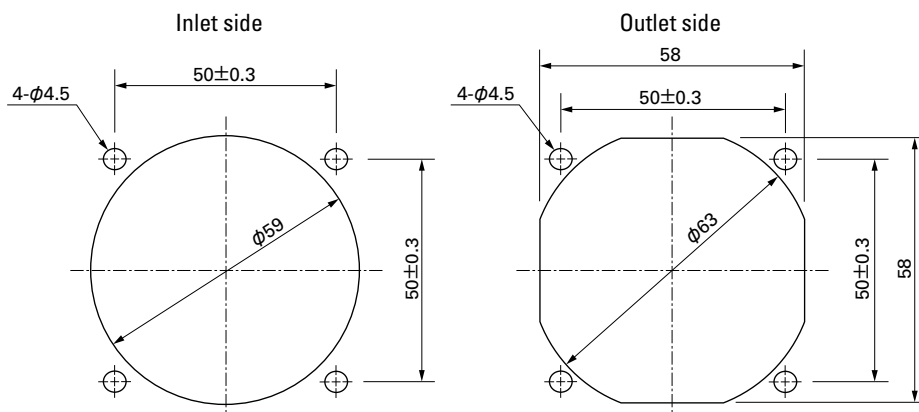
Model No.	Rated Voltage [V]	Frequency [Hz]	Input [W]	Current [A]	Locked Rotor Current [A]	Rated Speed [min ⁻¹]	Max. Airflow [m ³ /min] [CFM]	Max. Static Pressure [Pa] [inchHzO]	SPL [dB(A)]	Operating Temperature [°C]	Expected Life [h]
109-130	100	50/60	6/5	0.08/0.07	0.08/0.07	2,600/3,150	0.33/0.4 11.7/14.1	16.3/23.3 0.065/0.094	28/30	-30 to +60	25,000/60°C
109-133	115			0.07/0.06	0.07/0.06						

Set Models Fan, finger guard, plug cord, screws, etc. can be purchased in one package.
For details, please refer to pp. 453 to 456.

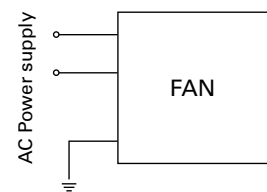
Dimensions (unit: mm)



Reference Dimensions of Mounting Holes and Vent Opening (unit: mm)



Wiring Diagram

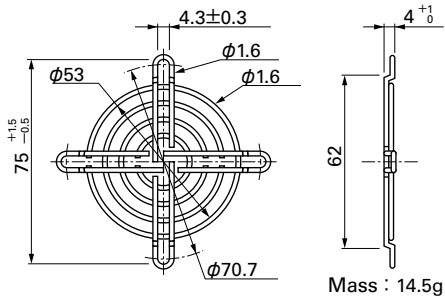


Options (unit: mm)

Finger Guards

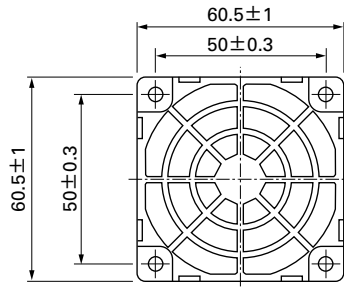
Model : 109-139E Surface treatment : Nickel-chrome plating (silver) Color : Silver
 : 109-139H : Cation electropainting (black)

Inlet side, Outlet side



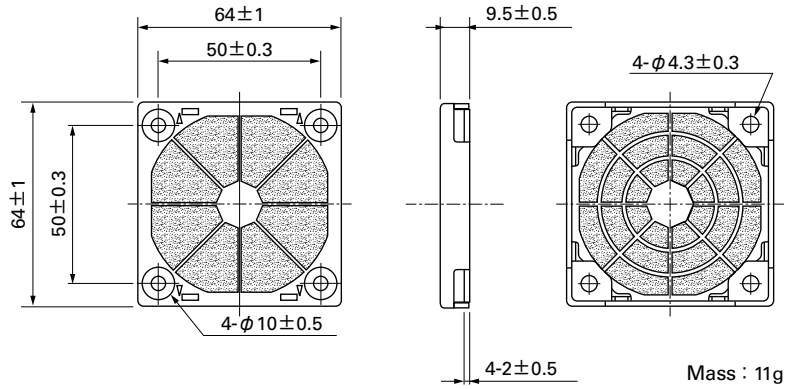
Resin Finger Guards

Model : 109-1003G

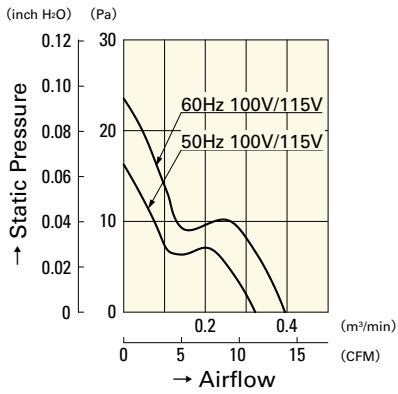


Resin Filter Kits

Model : 109-1003F13 (13PPI), 109-1003F20 (20PPI)
 : 109-1003F30 (30PPI), 109-1003F40 (40PPI)



Airflow - Static Pressure Characteristics



109-130

109-133

AC

AC Fan 60mm