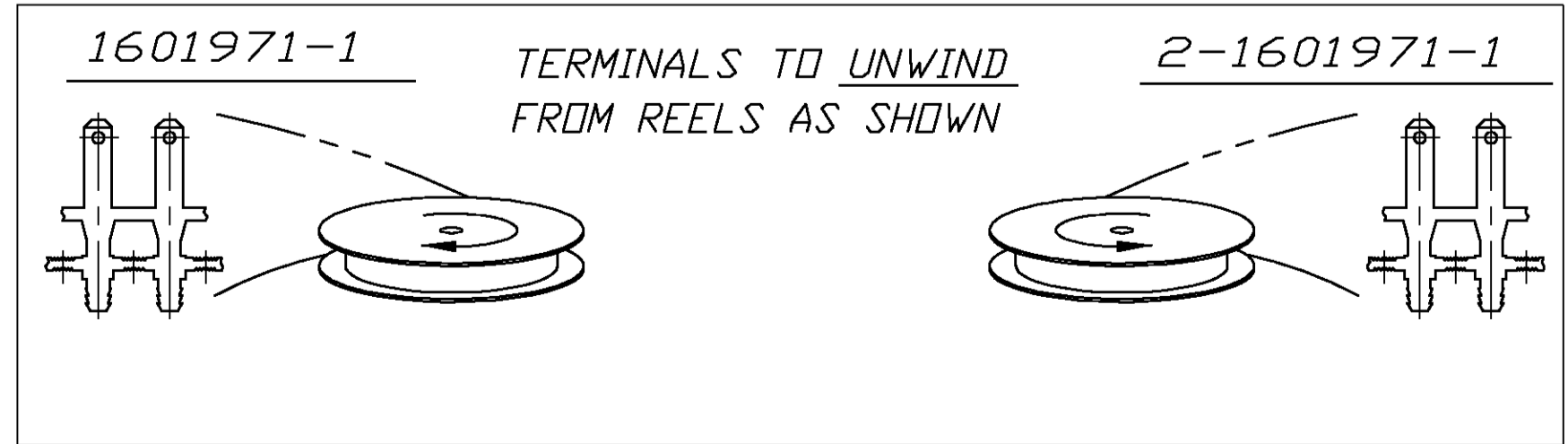
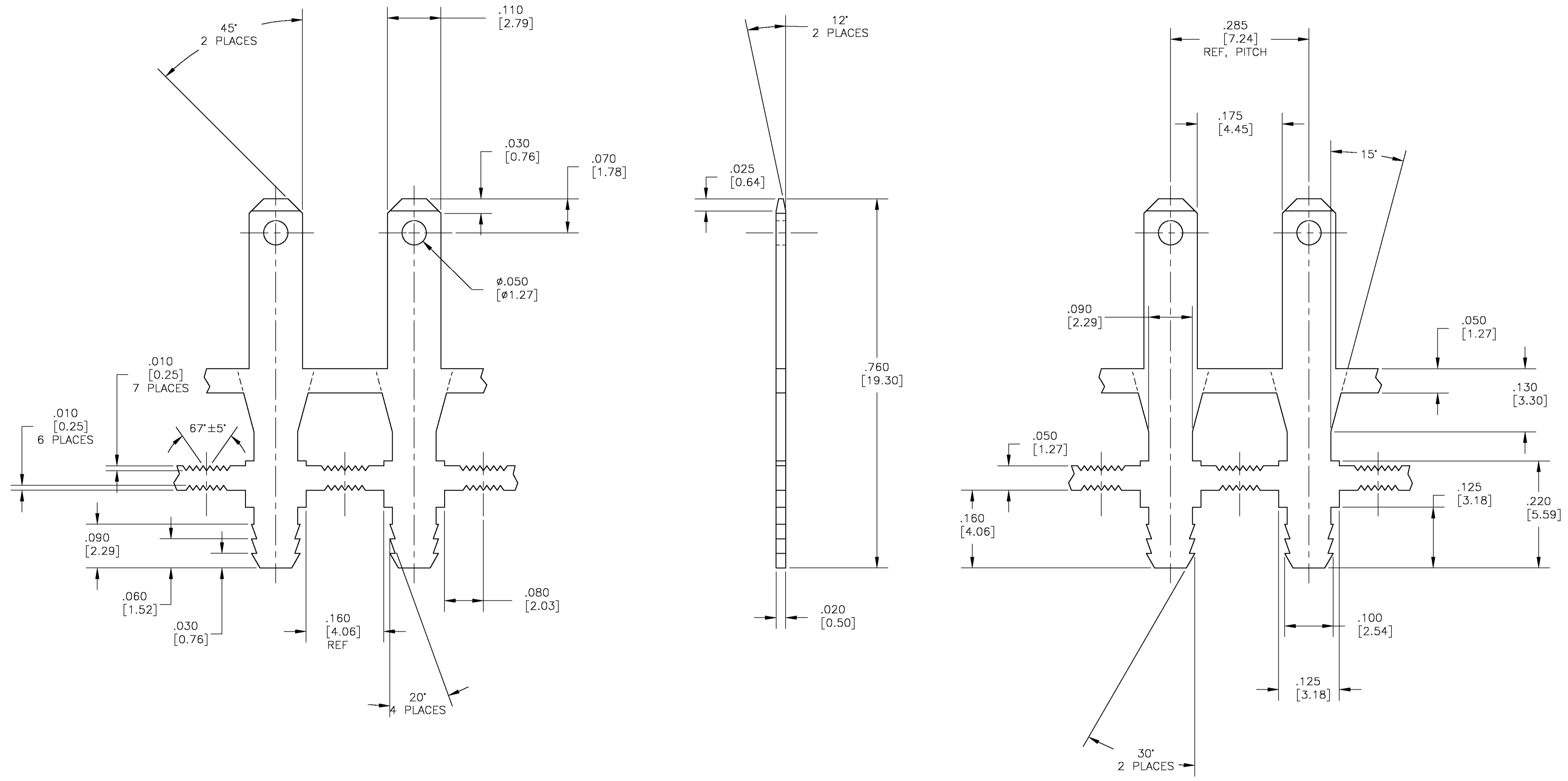


LOC		DIST		REVISIONS			
P	LR	DESCRIPTION	DATE	DRN	APVD		
B		PROPOSED PER OG63-003B-03	09APR03	JR	KR		

- 1 H04 BRASS, CDA 260.
- 2 .000200 [.00508] MIN TIN PLATE.
(REF ASTM B545 - SERVICE CLASS B).
- 3 ALL INSIDE AND OUTSIDE CORNERS,
.004 R ALLOWABLE.



THIS DRAWING IS A CONTROLLED DOCUMENT.		DRN M.S. FEHER 31OCT2002	Tyco Electronics Corporation Harrisburg, PA 17105-3608
DIMENSIONS: INCHES		CHK K.A. RANDOLPH 31OCT2002	
TOLERANCES UNLESS OTHERWISE SPECIFIED:		APVD K.A. RANDOLPH 31OCT2002	NAME K.A. RANDOLPH
0 PL	± .005	PRODUCT SPEC	APPLICATION SPEC
1 PL	± .005		
2 PL	± .010 [0.25]		
3 PL	± .005 [0.13]		
4 PL	± .005		
ANGLES	± .5°		
MATERIAL	FINISH	WEIGHT	RESTRICTED TO
1	2	A1 00779	SCALE 8:1 SHEET 1 OF 1 REV B
CUSTOMER DRAWING		SIZE	DRAWING NO
		C=1601971	

148-002-012	2-1601971-1
148-001-012	1601971-1
REFERENCE PRT NUMBER	PART NUMBER