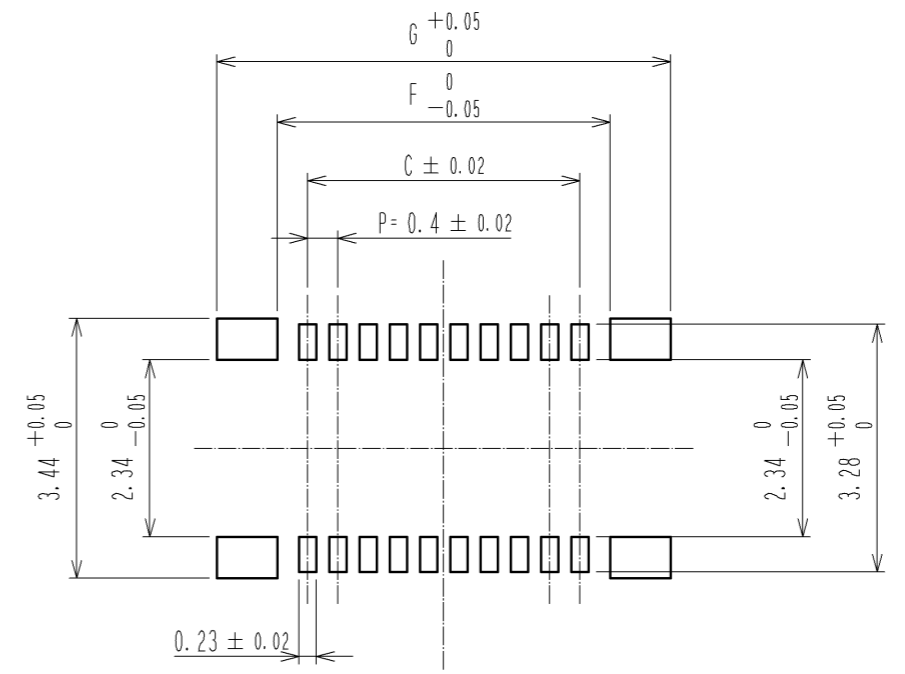


RECOMMENDED PATTERN



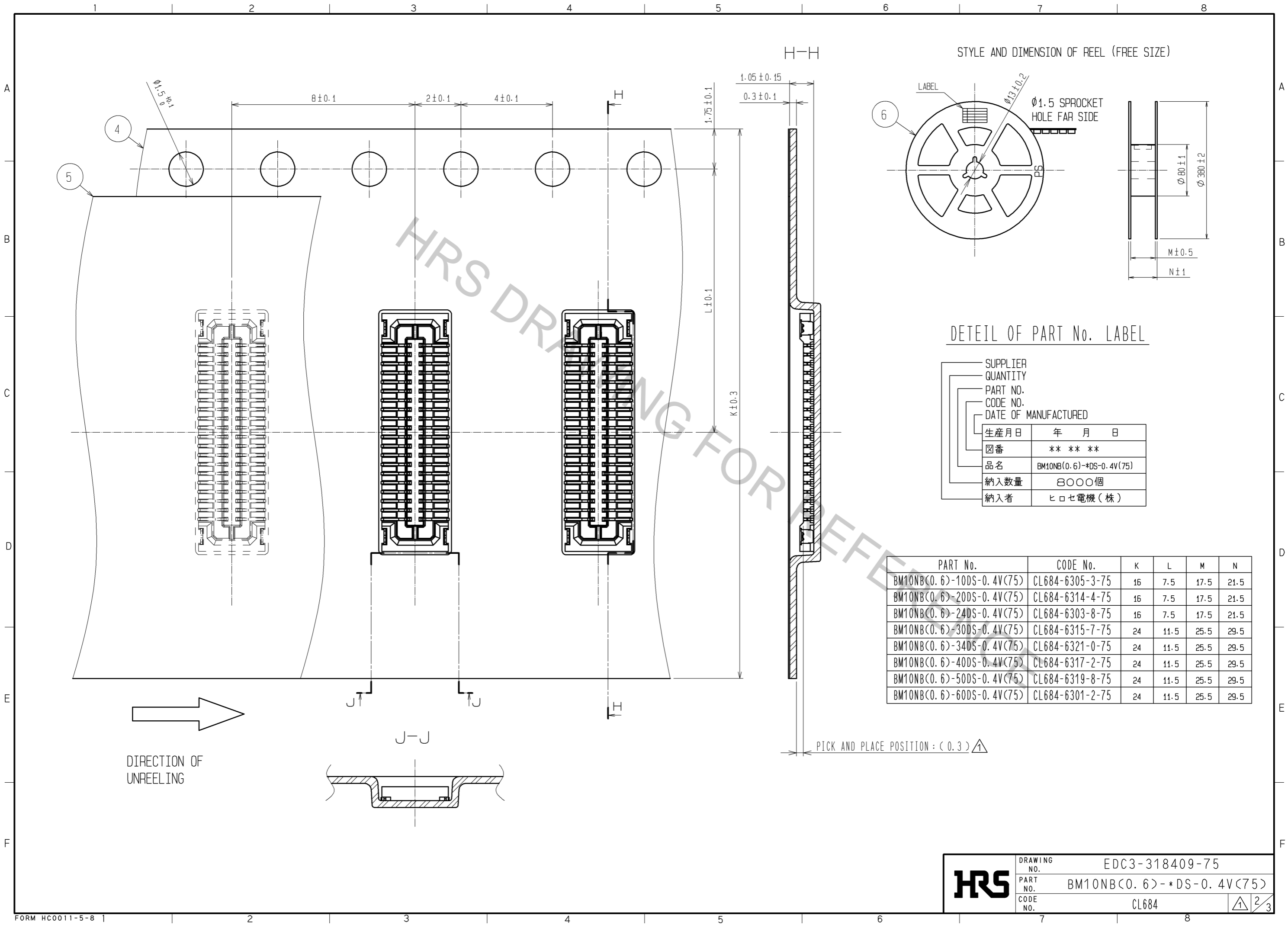
RECOMMENDED SOLDER PASTE : THICKNESS 120 μm
 RECOMMENDED METAL MASK OPENING RATIO : 100%

NOTE
 1. ALL LEADS CO-PLANARITY SHALL BE 0.1mm MAX.
 2. PER REEL:8000 CONNECTORS.
 3. AT THE BEGINING OF THE REEL,100mm AT MIN SHALL BE EMPTY POCKETS.
 AT THE END OF REEL,160 mm AT MIN SHALL BE EMPTY.
 4. CONTACT PLATING SPECIFICATIONS.
 CONTACT AREA:GOLD 0.1 μm MIN.
 SMT LEAD :GOLD 0.05 μm MIN.
 UNDERPLATING :NICKEL 1 μm MIN.
 (SURFACE : SEALING)

5. METAL HOLD DOWN PLATING SPECIFICATIONS.
 MOUNTING AREA:GOLD 0.05 μm MIN.
 UNDERPLATING :NICKEL 1 μm MIN.
 6. PEEL FORCE REFERS TO JIS C 0806.
 7. REFER TO PAGE3 FOR EMBOSS CASE OF LESS THAN OR EQUAL TO 20 PINS CONNECTORS.
 8. CONCAVE FOR STABILIZING COPLANARITY MIGHT BE SET UP AT THE INDICATED POSITION.
 9. PLEASE CONTACT US IN CASE YOU WILL MAKE DIFFERENT SETTINGS FROM OUR RECOMMENDATION.

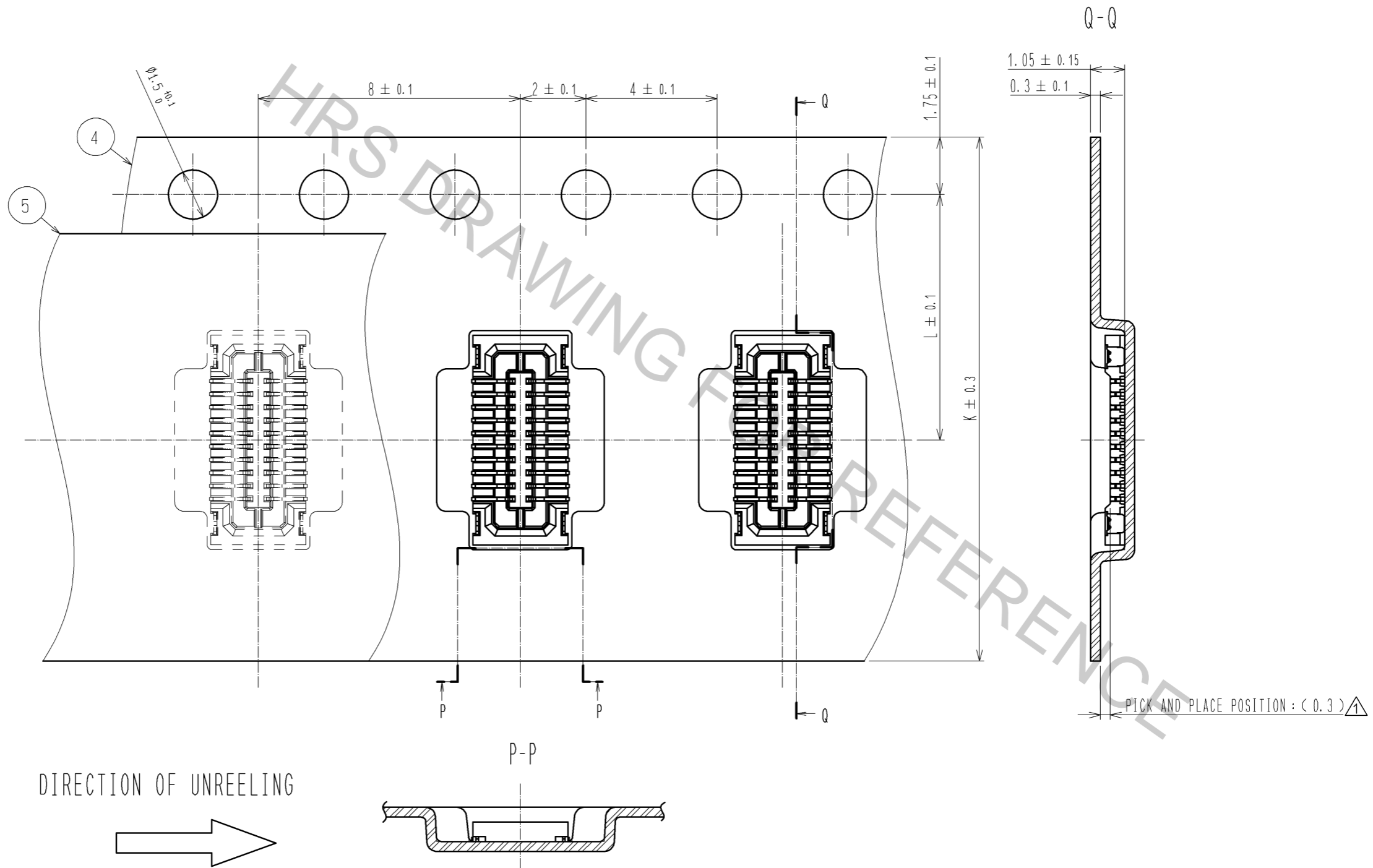
PART No.	CODE No.	B	C	D	E	F	G
BM10NB(0.6)-10DS-0.4V(75)	CL684-6305-3-75	4.40	1.6	0.8	3.1	2.18	4.02
BM10NB(0.6)-20DS-0.4V(75)	CL684-6314-4-75	6.40	3.6	1.6	5.1	4.18	6.02
BM10NB(0.6)-24DS-0.4V(75)	CL684-6303-8-75	7.20	4.4	2.0	5.9	4.98	6.82
BM10NB(0.6)-30DS-0.4V(75)	CL684-6315-7-75	8.40	5.6	2.0	7.1	6.18	8.02
BM10NB(0.6)-34DS-0.4V(75)	CL684-6321-0-75	9.20	6.4	2.4	7.9	6.98	8.82
BM10NB(0.6)-40DS-0.4V(75)	CL684-6317-2-75	10.40	7.6	2.4	9.1	8.18	10.02
BM10NB(0.6)-50DS-0.4V(75)	CL684-6319-8-75	12.40	9.6	2.8	11.1	10.18	12.02
BM10NB(0.6)-60DS-0.4V(75)	CL684-6301-2-75	14.40	11.6	3.2	13.1	12.18	14.02

3	PHOSPHOR BRONZE	5	6	PS	PLASTIC REEL (BLACK)		
2	PHOSPHOR BRONZE	4	5	POLYESTER	CLEAR (COVER TAPE)		
1	LCP	UL94V-0, BLACK	4	PS	CLEAR (EMBOSSED CARRIER TAPE)		
NO.	MATERIAL	FINISH, REMARKS	NO.	MATERIAL	FINISH, REMARKS		
UNITS	mm	SCALE	COUNT	DESCRIPTION OF REVISIONS	DESIGNED	CHECKED	DATE
		10:1	6	DIS-H-005457	KR. AJITO	AR. TAKAHASHI	11.01.13
APPROVED : KH. IKEDA		09.08.08		DRAWING NO.		EDC3-318409-75	
CHECKED : KY. MIDORIKAWA		09.08.08		PART NO.		BM10NB(0.6)-*DS-0.4V(75)	
DESIGNED : YH. MICHIDA		09.08.08		CODE NO.		CL684	
DRAWN : YH. MICHIDA		09.08.08					



HRS	DRAWING NO.	EDC3-318409-75
	PART NO.	BM10NB(0.6)*DS-0.4V(75)
	CODE NO.	CL684

7 EMBOSS CASE OF LESS THAN OR EQUAL TO 20 PINS CONNECTORS.



HRS	DRAWING NO.	EDC3-318409-75
	PART NO.	BM10NB(0.6)-*DS-0.4V(75)
	CODE NO.	CL684
		$\frac{3}{3}$

Apr.1.2017 Copyright 2017 HIROSE ELECTRIC CO., LTD. All Rights Reserved.