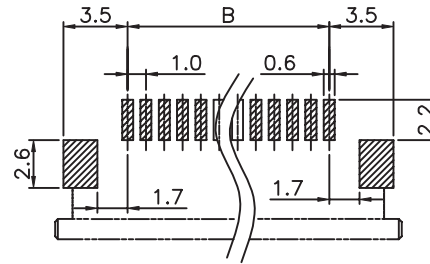
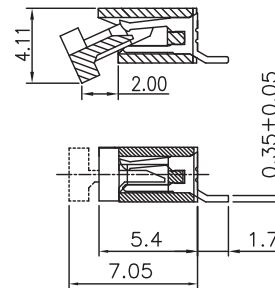
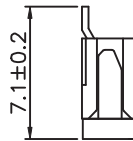
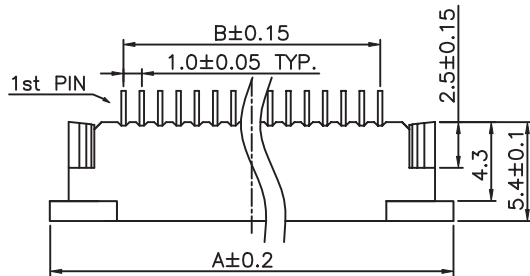
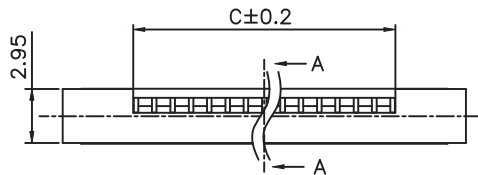


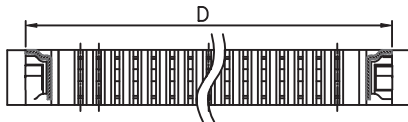
APPLICABLE FFC LAYOUT
(THICKNESS: 0.29 to 0.34)



PCB LAYOUT - COMPONENT VIEW



SECT. A-A



MATERIAL:
HOUSING MATERIAL: PPS
COLOR: BEIGE
ACTUATOR MATERIAL: PPS
COLOR: BRACK
CONTACT MATERIAL: PHOSPOR BRONZE
CONTACT PLATING: 100μ" TIN OVER 50μ" NI
QUALITY CLASS: 25 MATING CYCLES*

ENVIRONNEMENTAL:
OPERATING TEMPERATURE: -25°C UP TO 85°C
FLAMMABILITY RATING: UL94-V0
COMPLIANCE: LEAD FREE AND ROHS

ELECTRICAL:
CURRENT RATING: 1A
WORKING VOLTAGE: 125V
INSULATION RESISTANCE: >100MOHM
DIELECTRIC WITHSTANDING VOLT.: 500VAC/MN
CONTACT RESISTANCE: 20mOHM MAX

STANDARD
CERTIFIED: E323964 / MODEL NUMBER 686
FOLLOWED BY 1, FOLLOWED BY 03 THRU 30, FOLLOWED
BY 141 OR 144, FOLLOWED BY NUMERIC DIGITS

SOLDERING:
REFLOW PROCESS ONLY

DIMENSION:
A = B + 8.00
B = 1.00 x (NB PINS - 1)
C = B + 2.15
D = B + 6.00

RoHS Compliant

*NOTE: theoretical value related to the Tin plating; however, due to the sensitive actuator, we recommend not to make more than 1 or 2 cycles in order to maintain acceptable mechanical & electrical conditions

PROJECTION:



GENERAL TOLERANCE

.X = +/- 0.2
.XX = +/- 0.15



APPROVAL: Gmo

UNIT: MM

SCALE:

SHEET: 1/3

DRAW: AK

DESCRIPTION: 1.0MM ZIF FPC HORIZONTAL TOP CONTACT TYPE -
TAPE & REEL PACKAGING

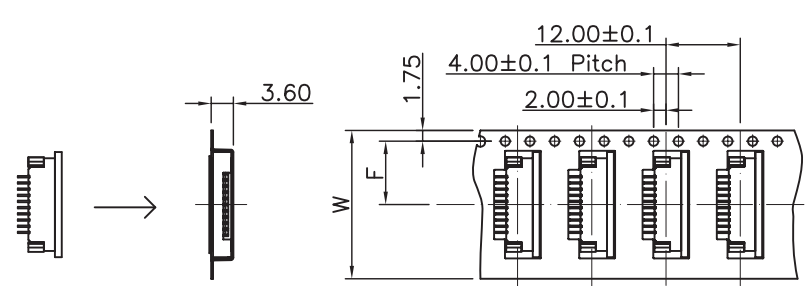
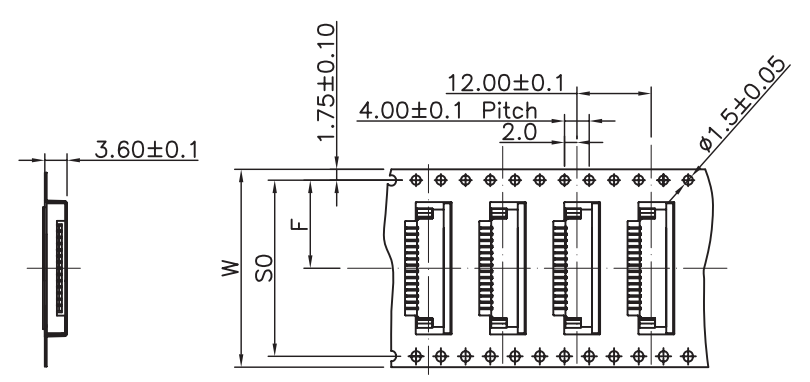
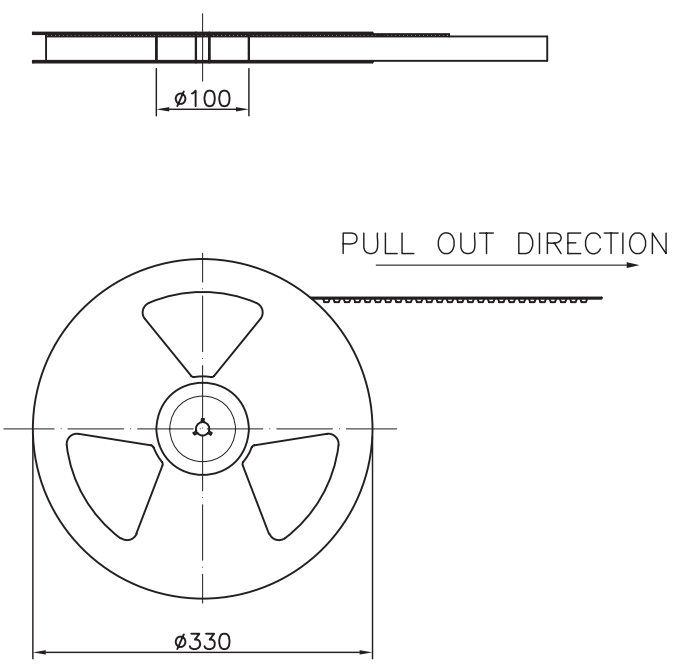
WERI PART NO: 686 1xx 141 22

SIZE

A4

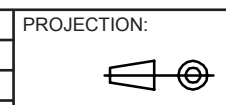
O	01-MAR-17	COLOR ACTUATOR	AK						
REV	DATE	FILE	BY						

1 2 3 4 5



PART-NO.	4-9PIN	10-14PIN	15-26PIN	27-30PIN
W	24.00	32.00	44.00	56.00
F	11.50	14.20	20.20	26.20
S0	—	28.40	40.40	52.40

RoHS Compliant			
G			
F			
E			
D			
C			
B			
A			
REV	DATE	FILE	BY



GENERAL TOLERANCE
 .X = +/- 0.2
 .XX = +/- 0.15



APPROVAL: GMo

UNIT: MM
 SCALE:
 SHEET: 2/3
 DRAW: AK

DESCRIPTION: 1.0MM ZIF FPC HORIZONTAL TOP CONTACT TYPE - TAPE & REEL PACKAGING
 WERI PART NO: 686 1xx 141 22

SIZE
A4

A
 B
 C
 D

1

2

3

4

5

Cautions and Warnings:

This electronic component is designed and developed with the intention for use in general electronics equipments.

Before incorporating the components into any equipments in the field such as aerospace, aviation, nuclear control, submarine, transportation, (automotive control, train control, ship control), transportation signal, disaster prevention, medical, public information network etc. where higher safety and reliability are especially required or if there is possibility of direct damage or injury to human body, Würth Elektronik must be asked for a written approval.

In addition, even electronic component in general electronic equipments, when used in electrical circuits that require high safety, reliability functions or performance, the sufficient reliability evaluation-check for the safety must be performed before by the user before usage.

A

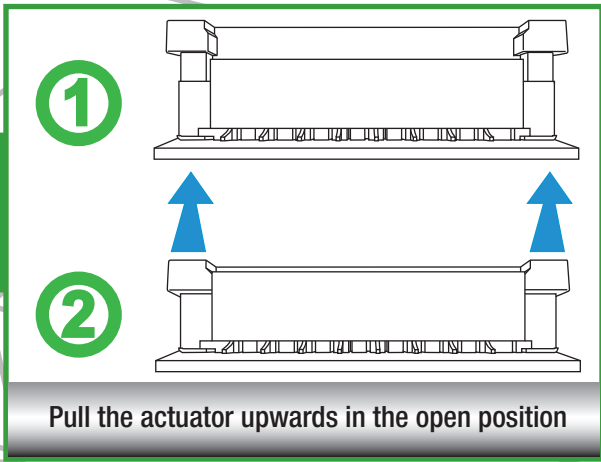
B

C

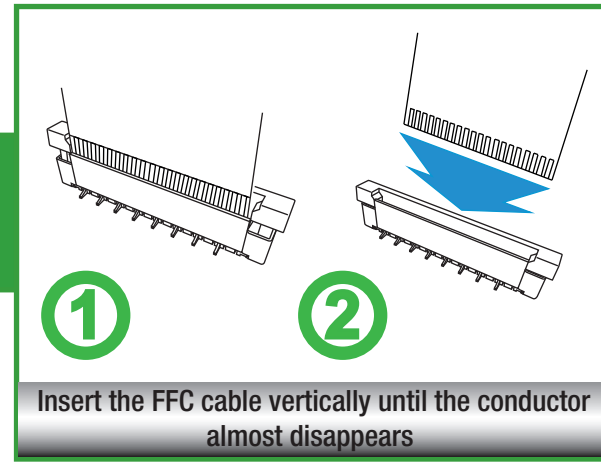
RoHS Compliant

G				PROJECTION: 	GENERAL TOLERANCE .X = +/- 0.2 .XX = +/- 0.15		
F							
E							
D							
C				APPROVAL: JC	UNIT: MM	DESCRIPTION: DISCLAIMER	SIZE A4
B					SCALE:		
A	10-SEP-14	PDF	QL		SHEET: 3/3	WERI PART NO: DISCLAIMER	
REV	DATE	FILE	BY		DRAW: QL		

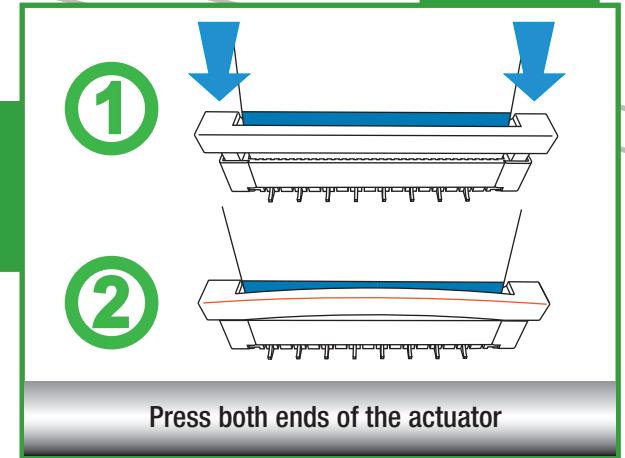
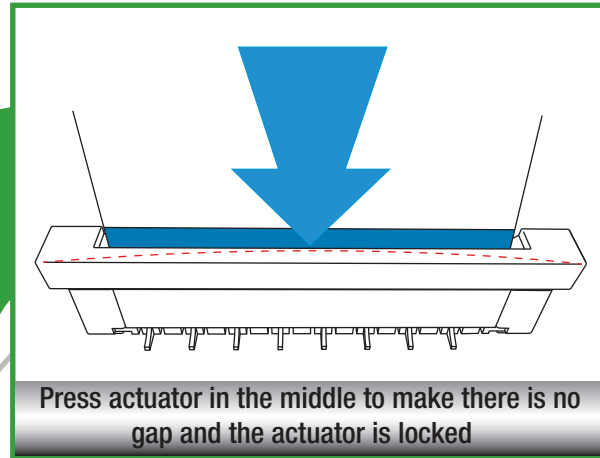
D

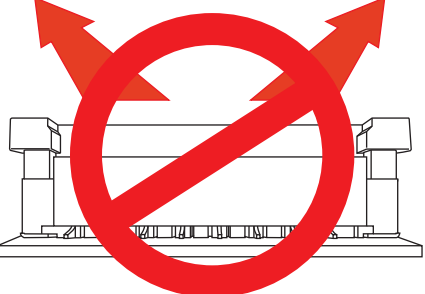


A



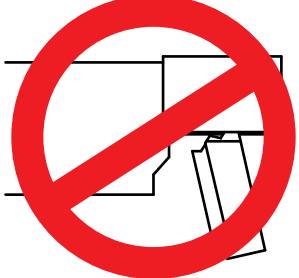
B



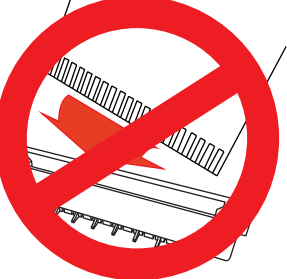


Pull the actuator as horizontally as possible by a proper force

A

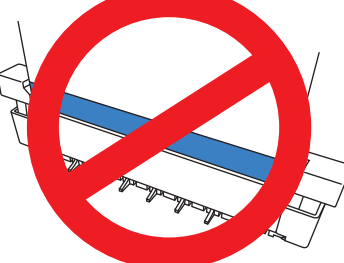


Do not pull the actuator too far otherwise the stop limit (hook on actuator) may be broken



Do not keep FFC inclined when insertion

B



Don't keep conductor toward actuator