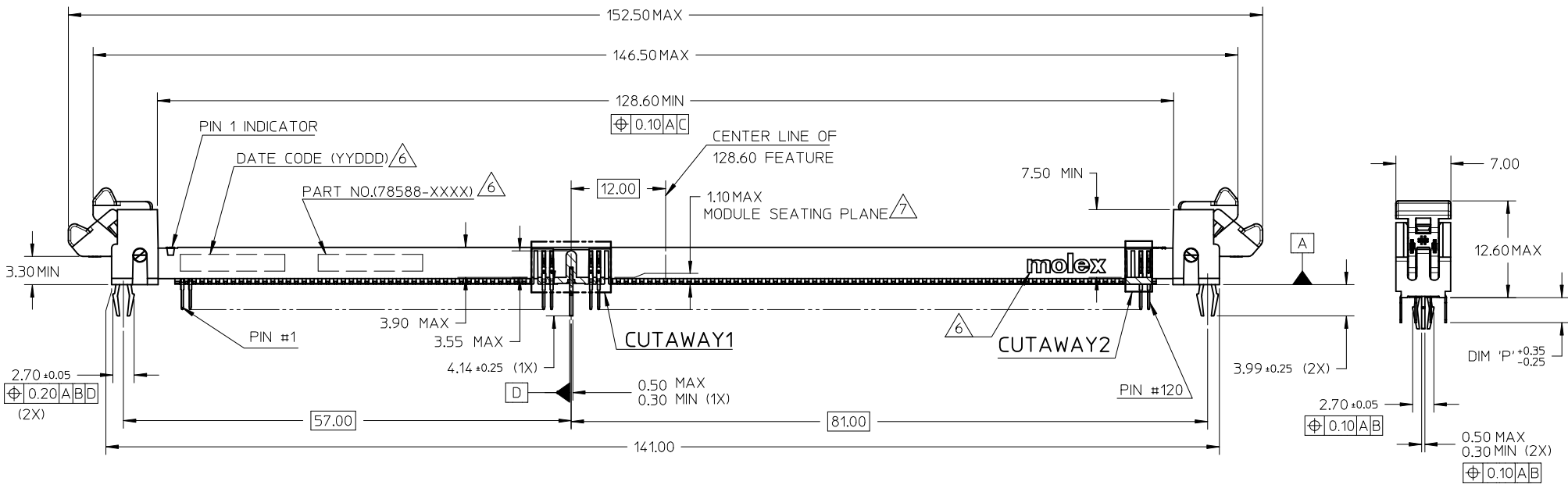
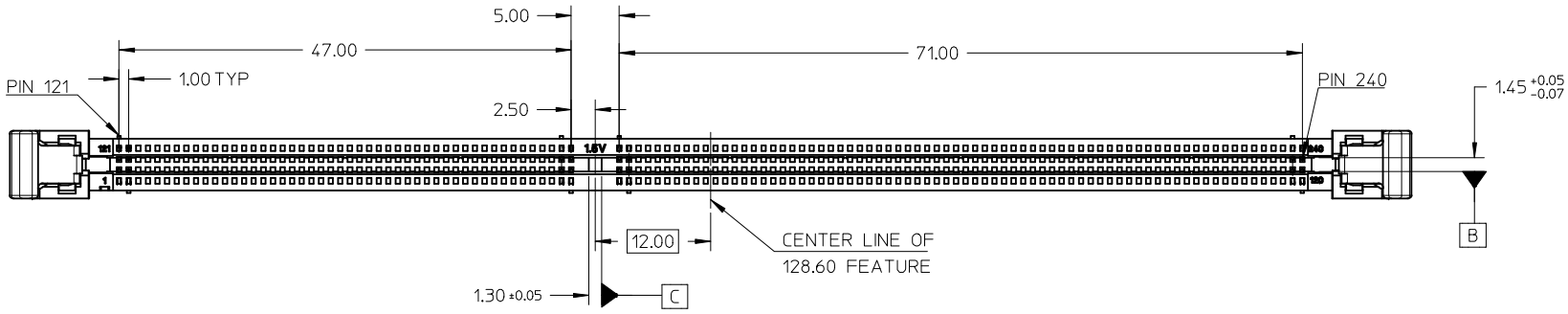


10 9 8 7 6 5 4 3 2 1



NOTES:  
 1. MATERIAL: HOUSING - HIGH TEMP NYLON, GLASS FILLED UL 94V-0. COLOR REFER SHEET 2  
 LATCH - HIGH TEMP NYLON, GLASS FILLED UL 94V-0.  
 COLOR - SEE TABLE ON SHEET 2  
 TERMINAL - COPPER ALLOY

2. FINISHES:  
 TERMINAL PLATING OPTIONS REFER TABLE ON SHEET 2

3. PRODUCT SPECIFICATION REFER TABLE ON SHEET 2

4. PACKAGING SPECIFICATION REFER TABLE ON SHEET 2

5. CARD SLOT ACCEPTS 1.27 +/- 0.10MM MODULE THICKNESS (MEASURED FROM GOLD PADS)

6. MOLEX LOGO, DATE AND PART NUMBERS INDICATED ON HOUSING

7. MODULE SEATING PLANE FROM TOP OF PCB

THIS DESIGN IS BASED ON DESIGN OBJECTIVES AND IS STRICTLY TENTATIVE.  
 IT MAY CHANGE BASED ON RESULTS OF ADDITIONAL DESIGN REVIEWS AND VERIFICATIONS.

ADD 2.67 TAIL P.NO	DESCRIPTION	QUALITY SYMBOLS
EC NO: S2012-0866	2012/05/16	F=0
DRWN:VMANICKAM	2012/06/05	F=0
CHKD:CCTEH	2012/06/05	F=0
APPR:SHLENI	2012/06/05	
REV		

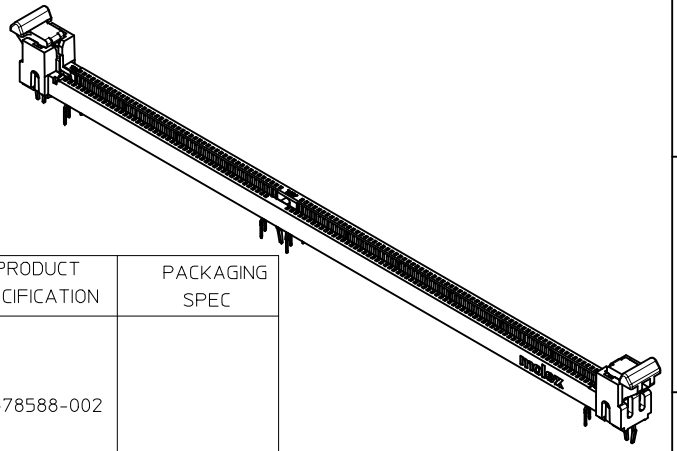
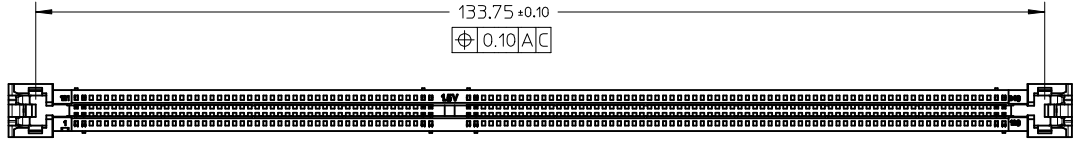
GENERAL TOLERANCES (UNLESS SPECIFIED)	
mm	INCH
4 PLACES ± ---	± ---
3 PLACES ± ---	± ---
2 PLACES ± 0.20	± ---
1 PLACE ± ---	± ---
0 PLACE ±	±
ANGULAR ± 1 °	
DRAFT WHERE APPLICABLE MUST REMAIN WITHIN DIMENSIONS	

DIMENSION STYLE MM ONLY	
DRAWN BY	DATE
VMANICKAM	2011/11/11
CHECKED BY	DATE
CCTEH	2011/12/05
APPROVED BY	DATE
SHLENI	2011/12/07
MATERIAL NO.	
SEE TABLE	
SIZE	A3

SCALE NTS	DESIGN UNITS METRIC	THIRD ANGLE PROJECTION
TITLE		
DDR3, DIMM, 1MM PITCH 240 CKT, VERTICAL, T/H 110 SP, LOW LLCR		
<b>molex</b>		
MATERIAL NO.	DOCUMENT NO.	SHEET NO.
	SD-78588-002	1 OF 4
THIS DRAWING CONTAINS INFORMATION THAT IS PROPRIETARY TO MOLEX INCORPORATED AND SHOULD NOT BE USED WITHOUT WRITTEN PERMISSION		

9 8 7 6 5 4 3 2 1

10 9 8 7 6 5 4 3 2 1

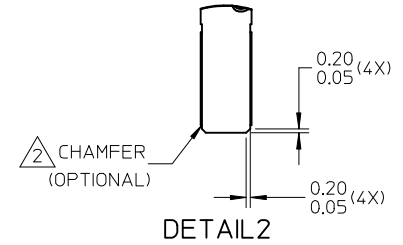
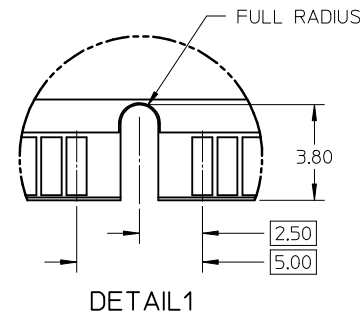
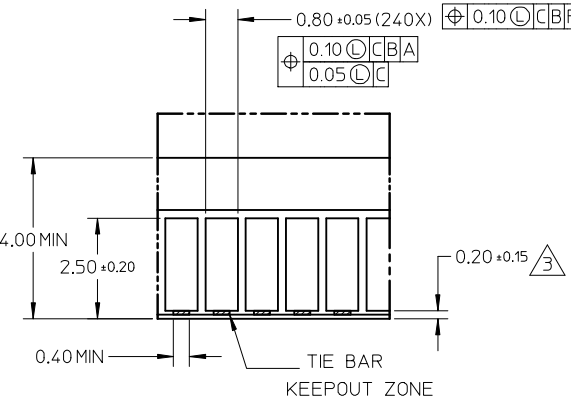
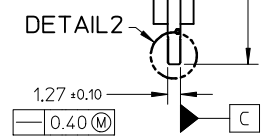
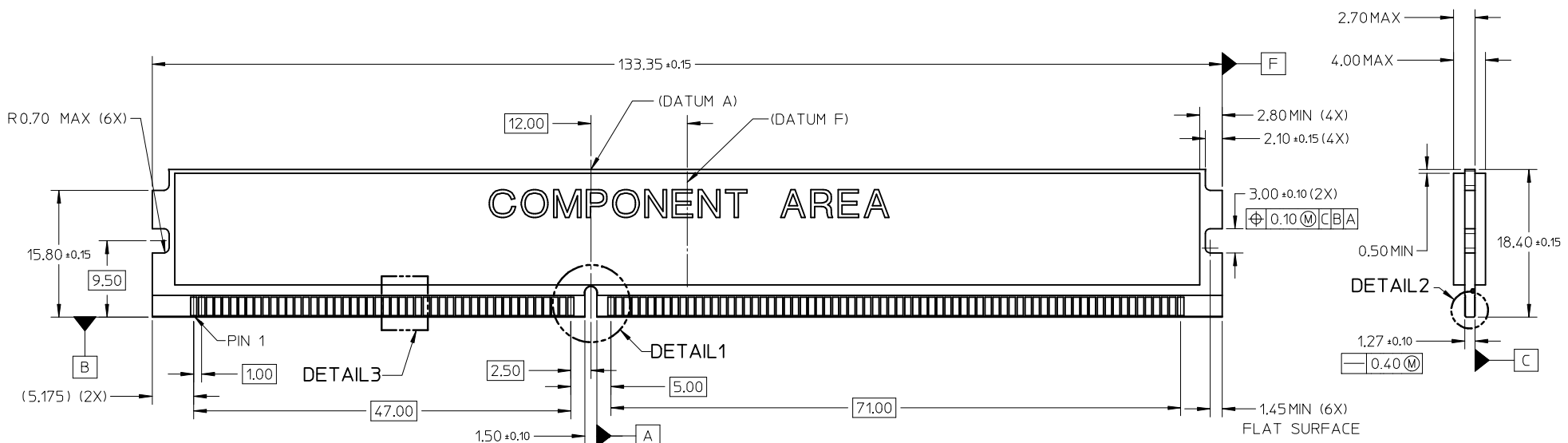


ASSEMBLY PART NO.	VOLTAGE KEY POS	HOUSING COLOR	LATCH COLOR	DIM 'P'	RECOMMENDED PCB THICKNESS	PLATING OPTION	PRODUCT SPECIFICATION	PACKAGING SPEC			
78588-0002	CENTER 1.5V	BLACK	BLACK	3.18	2.36	0.76 μM /30 μM MIN. GOLD ON CONTACT	PS-78588-002	PK-78588-002			
78588-0052			NATURAL (OFF-WHITE)			2.54 μM /100 μM PURE MATTE TIN ON SOLDER TAILS OVER					
78588-0062			NATURAL (OFF-WHITE)			NATURAL (OFF-WHITE)			1.27 μM /50 μM MIN. NICKEL UNDERPLATE		
78588-0066						BLACK					
78588-1502		BLACK	BLACK			2.67			1.57	0.38 μM /15 μM MIN. GOLD ON CONTACT	PS-78588-001
78588-1552			NATURAL (OFF-WHITE)								
78588-1562		NATURAL (OFF-WHITE)	NATURAL (OFF-WHITE)								
78588-1566			BLACK								
78588-1507		BLACK	BLACK								
78588-1557			NATURAL (OFF-WHITE)								
78588-1567		NATURAL (OFF-WHITE)	NATURAL (OFF-WHITE)								
78588-1568			BLACK								

ADD 2.67 TAIL P.NO EC NO: S2012-0866 DRWN:VMANICKAM 2012/05/16 CHKD:CCTEH 2012/06/05 APPR:SHLENI 2012/06/05	QUALITY SYMBOLS	GENERAL TOLERANCES (UNLESS SPECIFIED)	DIMENSION STYLE	SCALE	DESIGN UNITS	THIRD ANGLE PROJECTION
	▽ <sub>A</sub> =0	mm INCH	MM ONLY	NTS	METRIC	
	▽ <sub>B</sub> =0	4 PLACES ± --- ± ---	DRAWN BY DATE			DDR3, DIMM, 1MM PITCH 240 CKT, VERTICAL, T/H 110 SP, LOW LLCR <b>molex</b>
	▽ <sub>C</sub> =0	3 PLACES ± --- ± ---	VMANICKAM 2011/11/11			
	▽ <sub>D</sub> =0	2 PLACES ± 0.20 ± ---	CHECKED BY DATE			
	1 PLACE ± --- ± ---	CCTEH 2011/12/05				
	0 PLACE ± ±	APPROVED BY DATE				
		SHLENI 2011/12/07				
		ANGULAR ± 1 °	MATERIAL NO.		DOCUMENT NO.	
		DRAFT WHERE APPLICABLE MUST REMAIN WITHIN DIMENSIONS	SEE TABLE		SD-78588-002	
			SIZE A3	THIS DRAWING CONTAINS INFORMATION THAT IS PROPRIETARY TO MOLEX INCORPORATED AND SHOULD NOT BE USED WITHOUT WRITTEN PERMISSION		

9 8 7 6 5 4 3 2 1

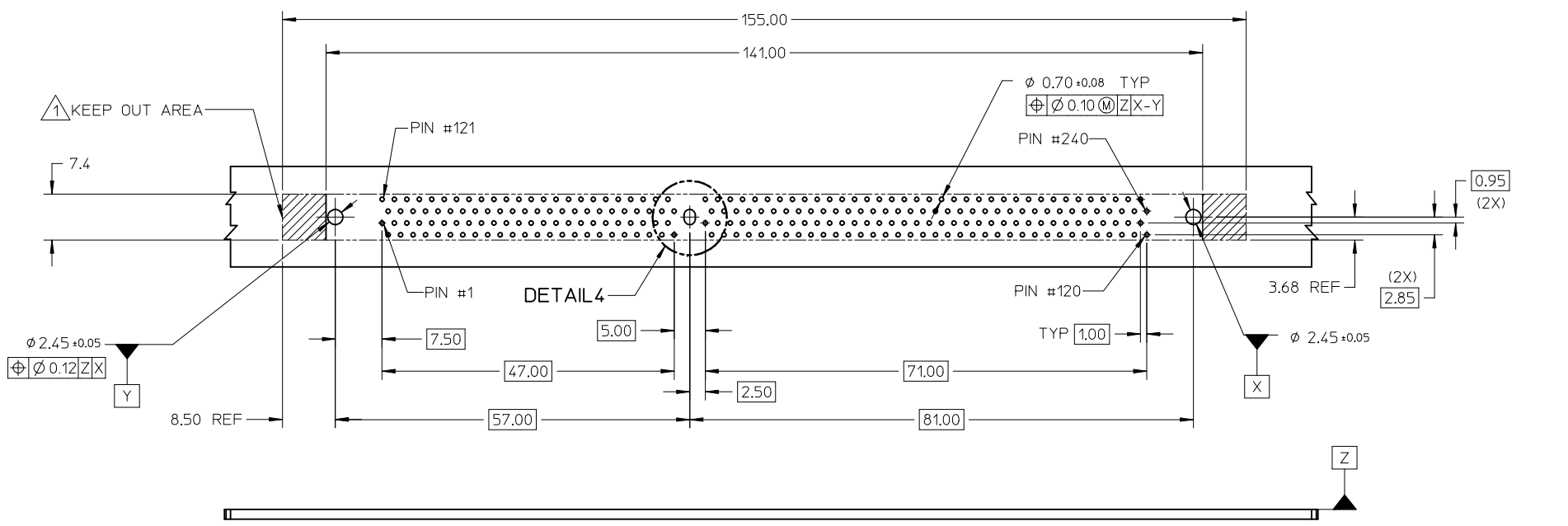
MODULE CARD  
DDR3 DUAL INLINE MEMORY MODULE FAMILY 1.00 CONTACT CENTERS



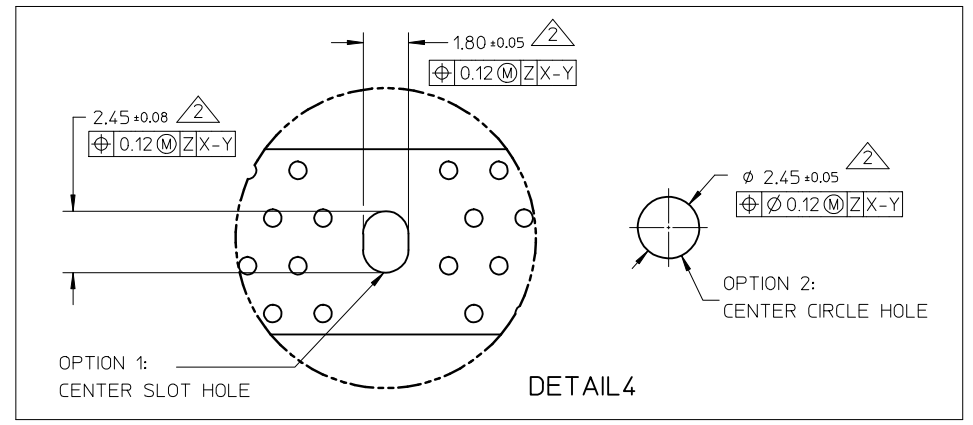
- NOTES:
- RECOMMENDED PLATING FOR CONTACT PADS:  
 PREFERRED: 0.76 MICROMETERS GOLD PLATING MIN OVER 2.00 MICROMETERS NICKEL  
 ALTERNATIVE: 0.05 TO 0.75 MICROMETERS GOLD PLATING OVER 2.00 MICROMETERS NICKEL MUST USE AN ELECTRONIC CONTACT GRADE CORROSIVE BARRIER LUBRICANT
  - CHAMFER IS OPTIONAL AND IS NOT TO HIT THE GOLD PADS
  - LEADING EDGE OF GOLD PADS SPECIFIED BY KEEPOUT ZONE SHALL BE FREE OF BURRS AND EXTERNAL TIE BARS

ADD 2.67 TAIL P.NO EC NO: S2012-0866 DRWN: VMANICKAM 2012/05/16 CHKD: CCTEH 2012/06/05 APPR: SHLENI 2012/06/05	QUALITY SYMBOLS $F_A=0$ $F_C=0$ $F_B=0$	GENERAL TOLERANCES (UNLESS SPECIFIED)		DIMENSION STYLE MM ONLY		SCALE NTS	DESIGN UNITS METRIC	THIRD ANGLE PROJECTION		
			mm	INCH	DRAWN BY VMANICKAM	DATE 2011/11/11	TITLE DDR3, DIMM, 1MM PITCH 240 CKT, VERTICAL, T/H 110 SP, LOW LLCR			
		4 PLACES	± ---	± ---	CHECKED BY CCTEH	DATE 2011/12/05	<b>molex</b> DOCUMENT NO. SD-78588-002 SHEET NO. 3 OF 4			
		3 PLACES	± ---	± ---	APPROVED BY SHLENI	DATE 2011/12/07				
	2 PLACES	± 0.20	± ---	MATERIAL NO. SEE TABLE		THIS DRAWING CONTAINS INFORMATION THAT IS PROPRIETARY TO MOLEX INCORPORATED AND SHOULD NOT BE USED WITHOUT WRITTEN PERMISSION				
	1 PLACE	± ---	± ---	DRAFT WHERE APPLICABLE MUST REMAIN WITHIN DIMENSIONS						
	0 PLACE	±	±							

10 9 8 7 6 5 4 3 2 1



1 KEEP OUT AREA IS THE AREA WHERE THE CONNECTOR (INCLUDING LATCHES) IS MOUNTED ON THE PCB



ADD 2.67 TAIL P.NO EC NO: S2012-0866 DRWN: VMANICKAM 2012/05/16 CH'KD: CCTEH 2012/06/05 APPR: SHLENI 2012/06/05	REV 2	DESCRIPTION 2012/05/16 2012/06/05 2012/06/05	QUALITY SYMBOLS	GENERAL TOLERANCES (UNLESS SPECIFIED)	DIMENSION STYLE	SCALE	DESIGN UNITS	THIRD ANGLE PROJECTION																		
			$\nabla = 0$ $\nabla = 0$ $\nabla = 0$	<table border="1"> <tr><th></th><th>mm</th><th>INCH</th></tr> <tr><td>4 PLACES</td><td>± ---</td><td>± ---</td></tr> <tr><td>3 PLACES</td><td>± ---</td><td>± ---</td></tr> <tr><td>2 PLACES</td><td>± 0.20</td><td>± ---</td></tr> <tr><td>1 PLACE</td><td>± ---</td><td>± ---</td></tr> <tr><td>0 PLACE</td><td>±</td><td>±</td></tr> </table>		mm	INCH	4 PLACES	± ---	± ---	3 PLACES	± ---	± ---	2 PLACES	± 0.20	± ---	1 PLACE	± ---	± ---	0 PLACE	±	±	MM ONLY	NTS	METRIC	<input checked="" type="checkbox"/> THIRD ANGLE PROJECTION
				mm	INCH																					
			4 PLACES	± ---	± ---																					
3 PLACES	± ---	± ---																								
2 PLACES	± 0.20	± ---																								
1 PLACE	± ---	± ---																								
0 PLACE	±	±																								
<table border="1"> <tr><td>ANGULAR</td><td>± 1 °</td></tr> </table>	ANGULAR	± 1 °	<table border="1"> <tr><td>DRAWN BY</td><td>VMANICKAM</td><td>DATE</td><td>2011/11/11</td></tr> <tr><td>CHECKED BY</td><td>CCTEH</td><td>DATE</td><td>2011/12/05</td></tr> <tr><td>APPROVED BY</td><td>SHLENI</td><td>DATE</td><td>2011/12/07</td></tr> </table>	DRAWN BY	VMANICKAM	DATE	2011/11/11	CHECKED BY	CCTEH	DATE	2011/12/05	APPROVED BY	SHLENI	DATE	2011/12/07	TITLE	DDR3, DIMM, 1MM PITCH 240 CKT, VERTICAL, T/H 110 SP, LOW LCCR									
ANGULAR	± 1 °																									
DRAWN BY	VMANICKAM	DATE	2011/11/11																							
CHECKED BY	CCTEH	DATE	2011/12/05																							
APPROVED BY	SHLENI	DATE	2011/12/07																							
DRAFT WHERE APPLICABLE MUST REMAIN WITHIN DIMENSIONS				SEE TABLE	MATERIAL NO. SD-78588-002	DOCUMENT NO.	SHEET NO. 4 OF 4																			

9 8 7 6 5 4 3 2 1