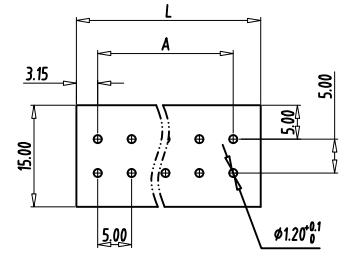
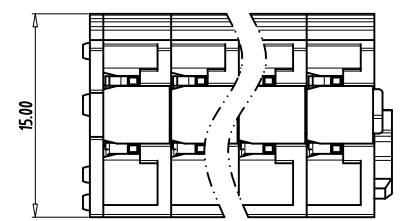
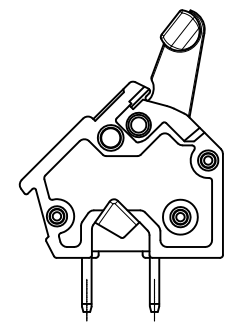
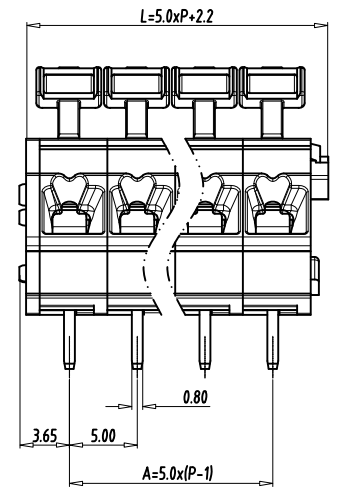
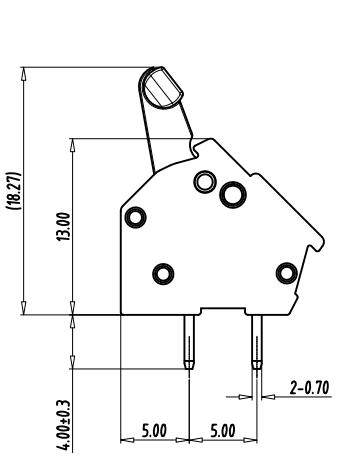


SIGN	DATE	DESCRIPTION	APPROVER
	05/20/2018	Rev change to E	
<i>THIS IS CAD DRAWING, DO NOT REVISE MANUALLY!!!</i>			



**PCB LAYOUT**

**Material**

- Solder Pin: Brass, Tin plated
- Spring Clamp: Stainless Steel
- Terminal Housing: Thermoplastic (UL94V-0)
- Terminal Cover: Thermoplastic (UL94V-0)
- Terminal lever: Thermoplastic (UL94V-HB)

**Electrical**

- Voltage rating: 300V
- Current rating: 15A
- Wire range:
  - Solid wire(AWG): 12-28
  - Stranded wire(AWG): 12-28
- Wire strip length: 6-7mm
- Withstanding Voltage: 1.6KV
- Operating temperature: -40°C to +115°C
- Soldering temperature: 260°C±5°C/5 Sec

● Safety Approval: us

RoHS Compliant

PART NUMBER:

**OSTHTXX0080**

No. of Poles:	COLOR
01 1 Pole (basic block)	0: Black
02 2 Poles	2: Red
etc. available in 1-24 Poles	3: Orange
	4: Yellow
	5: Green
	6: Blue
	8: Grey (Standard)
	9: White

Total Pitch Tolerances in mm										Nominal dimension range in mm										⊥	≡	-	//				
over	to	over	to	over	to	over	to	over	to	over	to	over	to	over	to	over	to	over	to	over	to	over	to	over	to	over	to
0	30	53	70	90	115	150	200	250		0	30	53	70	90	115	150	200	250	320	0	10	all		0	100	over	150
±0.18	±0.20	±0.25	±0.3	±0.35	±0.44	±0.55	±0.70	±0.75	±0.20	±0.25	±0.30	±0.35	±0.44	±0.55	±0.70	±0.80	±0.90			0.2	0.3	0.3	0.2	0.3	0.5		

THESE DRAWINGS AND SPECIFICATIONS ARE THE PROPERTY OF ON-SHORE TECHNOLOGY, INC. AND SHALL NOT BE REPRODUCED, COPIED OR USED IN ANY MANNER WITHOUT THE PRIOR WRITTEN CONSENT OF ON-SHORE TECHNOLOGY, INC.

TITLE		OSTHT-5.0 Series	
PART NO.	OSTHTXX0080	DWG NO.	OSTHTXX0080.DWG
APPROVED	CHECKED	DESIGNED	DRAWN
		Da cheng 2013.04.23	Da cheng 2013.04.23
CUST NO.		Tolerance	
		X. ±0.50	
		X.X ±0.30	
		X.XX ±0.10	
		X° ±1°	
SHEET: 01/01		REV: E	